

LS376/480 EFI Crate Engine (19171224) Specifications

Specifications Part Number 19172182

Thank you for choosing GM Performance Parts as your high performance source. GM Performance Parts is committed to providing proven, innovative performance technology that is truly... more than just power. GM Performance Parts are engineered, developed and tested to exceed your expectations for fit and function. Please refer to our catalog for the GM Performance Parts Authorized Center nearest you or visit our website at www.gmperformanceparts.com.

This publication provides general information on components and procedures which may be useful when installing or servicing an LS376/480 Crate engine. Please read this entire publication before starting work.

This LS376/480 crate engine is assembled using brand new, premium quality components. It is based off of the Gen IV LS Series architecture, and utilizes such modern technologies as fuel injection, individual ignition coil per cylinder, and electronic throttle control. Due to the wide range of small block applications, if you are retrofitting a previous small block application, you may encounter installation differences between the LS376/480 crate engine assembly and the previous version. These differences may require modifications or additional components not included with the LS376/480 engine, including cooling, fuel, electrical, and exhaust systems. Some fabrication work may be required.

The LS376/480 crate engine requires an engine control system and harness which are available from your GM Performance Parts dealer. Check with your dealer or on gmperformanceparts.com for the control system packages that are currently available. Generally, the fuel system requirement is 60 psi (400 kPa) constant fuel pressure, but check the information included in your engine control system for the actual pressure requirement.

User Note: The GM Performance Parts LS 376/480 crate engine (19171224) comes equipped with the LS Hot Cam (88958733) which is an aggressive high performance camshaft that may cause slight surging below 2500 rpm under light load. This should be considered a normal functioning occurrence given the aggressive nature of the LS Hot Cam. This surging can be avoided by increasing either the rpm or throttle of the engine at the same given velocity. Under full throttle usage, you should not experience any surging when using a GMPP engine control system designed for the LS376/480.

It is not the intent of these specifications to replace the comprehensive and detailed service practices explained in the GM service manuals.

For information about warranty coverage, please contact your local GM Performance Parts dealer.

Observe all safety precautions and warnings in the service manuals when installing a LS376/480 crate engine in any vehicle. Wear eye protection and appropriate protective clothing. When working under or around the vehicle support it securely with jackstands. Use only the proper tools. Exercise extreme caution when working with flammable, corrosive, and hazardous liquids and materials. Some procedures require special equipment and skills. If you do not have the appropriate training, expertise, and tools to perform any part of this conversion safely, this work should be done by a professional.

TITLE LS376/480 EFI Crate Engine Specifications	IR 14SE07	PART NO. 19172182	PAGE 1 OF 36
--	------------------	--------------------------	----------------------------

ALL INFORMATION WITHIN ABOVE BORDER TO BE PRINTED EXACTLY AS SHOWN ON 8 1/2 x 11 WHITE 16 POUND BOND PAPER. PRINT ON BOTH SIDES, EXCLUDING TEMPLATES. TO BE UNITIZED IN ACCORDANCE WITH GMSPO SPECIFICATIONS.	DATE	REVISION	AUTH
	14SE07	Initial Release - Tony Cubr	

Legal and Emissions Information

This publication is intended to provide information about the LS376/480 crate engine and related components. This manual also describes procedures and modifications that may be useful during the installation of an LS376/480 crate engine. It is not intended to replace the comprehensive service manuals and parts catalogs which cover General Motors engines and components. Rather, it is designed to provide supplemental information in areas of interest to “do-it-yourself” enthusiasts and mechanics.

This publication pertains to engines and vehicles which are used off the public highways except where specifically noted otherwise. Federal law restricts the removal of any part of a federally required emission control system on motor vehicles. Further, many states have enacted laws which prohibit tampering with or modifying any required emission or noise control system. Vehicles which are not operated on public highways are generally exempt from most regulations, as are some special interest and pre-emission vehicles. The reader is strongly urged to check all applicable local and state laws.

Many of the parts described or listed in this manual are merchandised for off-highway application only, and are tagged with the “Special Parts Notice” reproduced here:

Special Parts Notice

This part has been specifically designed for Off-Highway application only. Since the installation of this part may either impair your vehicle’s emission control performance or be uncertified under current Motor Vehicle Safety Standards, it should not be installed in a vehicle used on any street or highway. Additionally, any such application could adversely affect the warranty coverage of such an on-street or highway vehicle.

The information contained in this publication is presented without any warranty. All the risk for its use is entirely assumed by the user. Specific component design, mechanical procedures, and the qualifications of individual readers are beyond the control of the publisher, and therefore the publisher disclaims all liability incurred in connection with the use of the information provided in this publication.

Chevrolet, Chevy, the Chevrolet Bow Tie Emblem, General Motors, and GM are all registered trademarks of the General Motors Corporation.

Package contents:

<u>Item</u>	<u>Description</u>	<u>Quantity</u>	<u>GM Part Number</u>
1	Engine Assembly	1	19166565
2	Engine Instructions	1	19172182

Component Information:

The LS376/480 crate engine uses stock 2008 LS3 components except as noted below. Additional service information not included in this document can be found from your GM Performance Parts dealer under the LS3 RPO (2008 Corvette) for all components except those noted below. When servicing or replacing items below, use information for a 2006 LS2 (Corvette) engine.

Camshaft

The LS376/480 crate engine uses GM Performance Parts camshaft 88958733, which has a 3-bolt sprocket mounting.

Camshaft Sprocket and Bolts

Camshaft sprocket 12586481 and bolts 12556127 (Qty 3) are used in conjunction with the 3-bolt camshaft design.

Timing Chain Dampener

Timing chain dampener 12588670 and bolts 11588364 (Qty 2) are used in conjunction with this design instead of the LS3-style chain tensioner.

Additional parts that may be needed:

Engine Control System

As indicated above, the LS376/480 crate engine requires an engine control system and harness which are available from your GM Performance Parts dealer. Check with your dealer or on gmperformanceparts.com for the control system packages that are currently available.

Flywheel:

The LS376/480 crate engine includes an original equipment flexplate (12582437) used on 2008 Corvette applications. Flywheel 12571611 is also available from your GM Performance Parts dealer for manual transmission applications.

Pilot Bearing:

You must install a pilot bearing in the rear of the crankshaft if the engine will be used with a manual transmission. The pilot bearing aligns the transmission input shaft with the crankshaft centerline. A worn or misaligned pilot bearing can cause shifting problems and rapid clutch wear. Pilot bearing 12557583 is an original equipment bearing used with this type of engine and is recommended.

Starter:

The LS376/480 crate engine does not include a starter. GM Performance Parts part number 10465385 is matched to this application and is recommended. See your GM Performance Parts dealer for details.

Air Induction:

A foam or paper element, low restriction air filter/cleaner should be used to protect the engine from excessive wear. Additionally, your engine control system may have recommendations for air cleaners and intake systems for best performance.

Fuel Pump:

The LS376/480 engine does not include a fuel pump. Generally, the EFI system requirement is 60 psi constant pressure, but consult the information with your engine control system for the actual recommendation. The fuel pump you choose must be capable of 45 gph @ the recommended pressure. GM Part Number 19151145 is an in-tank unit that meets these requirements, but may not be adaptable for all applications. Numerous aftermarket pumps will meet these requirements as well.

TITLE LS376/480 EFI Crate Engine Specifications	IR 14SE07	PART NO. 19172182	PAGE 3 OF 36
--	-----------	--------------------------	----------------------------

ALL INFORMATION WITHIN ABOVE BORDER TO BE PRINTED EXACTLY AS SHOWN ON 8 1/2 x 11 WHITE 16 POUND BOND PAPER. PRINT ON BOTH SIDES, EXCLUDING TEMPLATES. TO BE UNITIZED IN ACCORDANCE WITH GMSPO SPECIFICATIONS.	DATE	REVISION	AUTH

Accessory Drive Brackets:

Accessory Drive Kit part 19155067 is available from GM Performance Parts to fit the LS376/480 engine. This contains all components and hardware necessary for installation (includes air conditioning compressor, power steering pump, and alternator). Please see your GM Performance Parts dealer or visit us on the web at www.gmperformanceparts.com.

Start-up and Break-in Procedures

Safety first. If the vehicle is on the ground, be sure the emergency brake is set, the wheels are chocked and the car cannot fall into gear. Verify everything is installed properly and nothing was missed.

1. **This engine assembly needs to be filled with oil.** After installing the engine, ensure the crankcase has been filled with the appropriate motor oil to the recommended oil fill level on the dipstick. The LS376/480 crate engine requires a special oil meeting GM Standard GM4718M (this will be specified on the oil label). Mobil 1 is one such recommended oil. Other oils meeting this standard may be identified as synthetic. However, not all synthetic oils will meet this GM standard. Look for and use only an oil that meets GM Standard GM4718M. Also check and fill as required any other necessary fluids such as coolant, power steering fluid, etc.
2. The engine should be primed with oil before starting. Install an oil pressure gauge (the existing oil pressure sensor location at the upper rear of the engine may be used) and disconnect the engine control system (removing power from the engine control module is generally recommended, but check your engine control system information for additional details). Note: Disconnecting only ignition or fuel injector connectors is not recommended – make sure the control system will not provide ignition or fuel to the engine.
3. Once the engine control system has been disconnected, crank the engine using the starter for 10 seconds and check for oil pressure. If no pressure is indicated, wait 30 seconds and crank again for 10 seconds. Repeat this process until oil pressure is indicated on the gauge.
4. Reconnect the engine control system. Start the engine and listen for any unusual noises. If no unusual noises are noted, run the engine at approximately 1000 RPM until normal operating temperature is reached.
5. When possible, you should always allow the engine to warm up prior to driving. It is a good practice to allow the oil sump and water temperature to reach 180°F before towing heavy loads or performing hard acceleration runs.
6. The engine should be driven at varying loads and conditions for the first 30 miles or one hour without wide open throttle (WOT) or sustained high RPM accelerations.
7. Run five or six medium throttle (50%) accelerations to about 4000 RPM and back to idle (0% throttle) in gear.
8. Run two or three hard throttle (WOT 100%) accelerations to about 4000 RPM and back to idle (0% throttle) in gear.
9. Change the oil and filter. Replace the oil per the specification in step 1, and replace the filter with a new PF48 AC Delco oil filter. Inspect the oil and the oil filter for any foreign particles to ensure that the engine is functioning properly.
10. Drive the next 500 miles (12 to 15 engine hours) under normal conditions. Do not run the engine at its maximum rated engine speed. Also, do not expose the engine to extended periods of high load.
11. Change the oil and filter. Again, inspect the oil and oil filter for any foreign particles to ensure that the engine is functioning properly.

LS376/480 Engine Specifications:

Type: 6.2L Gen IV Small Block V8
 Displacement: 376 cubic inches
 Bore x Stroke: 4.065 inch x 3.622 inch
 Compression 10.7:1
 Block: Cast aluminum, six bolt cross-bolted main caps
 Cylinder Head: Cast aluminum rectangle port
 Valve Diameter (Intake/Exhaust): 2.16"/1.59"
 Chamber Volume: 68cc
 Crankshaft: Nodular iron, internally balanced
 Connecting Rods: Powdered metal
 Pistons: Hypereutectic aluminum
 Camshaft: Hydraulic roller tappet
 Lift:525" intake, .525" exhaust
 Duration: 219° intake, 228° exhaust @ .050" tappet lift
 Centerline: 112° LSA
 Rocker Arm Ratio: 1.7:1
 Oil Capacity: 5.5-quart (with filter)
 Oil Pressure (Minimum, with hot oil): 6 psig @ 1000 RPM
 18 psig @ 2000 RPM
 24 psig @ 4000 RPM
 Recommended Oil: 5w30 Mobil 1 motor oil (or others meeting GM4718M Standard,
 which will be specified on the oil label)
 Oil Filter: AC Delco part # PF48
 Fuel: Premium unleaded - 92 (R+M/2)
 Maximum Engine Speed: 6600 RPM
 Spark Plugs: GM 12571164
 AC Delco # 41-985
 Spark Plug Gap040"
 Firing Order: 1-8-7-2-6-5-4-3

Information may vary with application. All specifications listed are based on the latest production information available at the time of printing.

LS376/480 Crate Engine Torque Specifications:

Application

Specification

	<u>Metric</u>	<u>English</u>
Camshaft Position (CMP) Sensor Bolt	12 N·m	106 lb in
CMP Sensor Wire Harness Bolt	12 N·m	106 lb in
Camshaft Retainer Bolts - Hex Head Bolts	25 N·m	18 lb ft
Camshaft Retainer Bolts - TORX® Head Bolts	15 N·m	11 lb ft
Camshaft Sprocket Bolts	25 N·m	18 lb ft
Connecting Rod Bolts - First Pass	20 N·m	15 lb ft
Connecting Rod Bolts - Final Pass	85 degrees	
Coolant Air Bleed Pipe and Cover Bolts	12 N·m	106 lb in
Coolant Temperature Sensor	20 N·m	15 lb ft
Crankshaft Balancer Bolt - Installation Pass to Ensure the Balancer is Completely Installed	330 N·m	240 lb ft
Crankshaft Balancer Bolt - First Pass - Install a NEW Bolt After the Installation Pass	50 N·m	37 lb ft
Crankshaft Balancer Bolt - Final Pass	140 degrees	
Crankshaft Bearing Cap M10 Bolts - First Pass in Sequence	20 N·m	15 lb ft
Crankshaft Bearing Cap M10 Bolts - Final Pass in Sequence	80 degrees	
Crankshaft Bearing Cap M10 Studs - First Pass in Sequence	20 N·m	15 lb ft
Crankshaft Bearing Cap M10 Studs - Final Pass in Sequence	51 degrees	
Crankshaft Bearing Cap M8 Bolts	25 N·m	18 lb ft
Crankshaft Oil Deflector Nuts	25 N·m	18 lb ft
Crankshaft Position (CKP) Sensor Bolt	25 N·m	18 lb ft
Crankshaft Rear Oil Seal Housing Bolts	30 N·m	22 lb ft
Cylinder Head M11 Bolts - First Pass in Sequence	30 N·m	22 lb ft
Cylinder Head M11 Bolts - Second Pass in Sequence	90 degrees	
Cylinder Head M11 Bolts - Final Pass in Sequence	70 degrees	
Cylinder Head M8 Bolts - in Sequence	30 N·m	22 lb ft
Cylinder Head Coolant Plug	20 N·m	15 lb ft
Engine Block Coolant Drain Hole Plug	60 N·m	44 lb ft
Engine Block Oil Gallery Plug	60 N·m	44 lb ft
Evaporative Emission (EVAP) Canister Purge Solenoid Valve Bolt	50 N·m	37 lb ft
Exhaust Manifold Bolts - First Pass	15 N·m	11 lb ft
Exhaust Manifold Bolts - Final Pass	20 N·m	15 lb ft
Exhaust Manifold Heat Shield Bolts	9 N·m	80 lb in
Exhaust Manifold Studs	20 N·m	15 lb ft
Flywheel Bolts - First Pass	20 N·m	15 lb ft
Flywheel Bolts - Second Pass	50 N·m	37 lb ft
Flywheel Bolts - Final Pass	100 N·m	74 lb ft
Front Cover Bolts	25 N·m	18 lb ft

Application

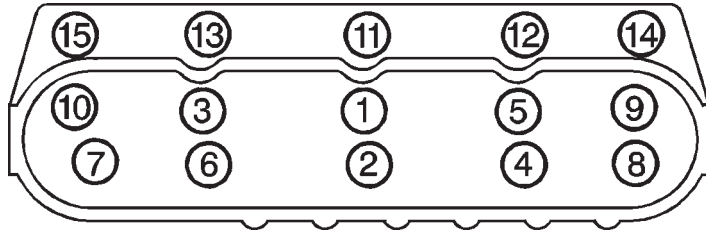
Specification

	<u>Metric</u>	<u>English</u>
Fuel Injection Fuel Rail Bolts	10 N·m	89 lb in
Ignition Coil Bracket-to-Valve Rocker Arm Cover Stud	12 N·m	106 lb in
Ignition Coil-to-Bracket Bolts	10 N·m	89 lb in
Intake Manifold Bolts - First Pass in Sequence	5 N·m	44 lb in
Intake Manifold Bolts - Final Pass in Sequence	10 N·m	89 lb in
J 41798 M8 Bolt	25 N·m	18 lb ft
J 41798 M10 Bolts	50 N·m	37 lb ft
Knock Sensor Bolts	20 N·m	15 lb ft
Motor Mount Bracket Bolts	50 N·m	37 lb ft
Oil Filter	30 N·m	22 lb ft
Oil Filter Fitting	55 N·m	40 lb ft
Oil Level Indicator Tube Bolt	25 N·m	18 lb ft
Oil Level Sensor	20 N·m	15 lb ft
Oil Pan Closeout Cover Bolt - Left Side	9 N·m	80 lb in
Oil Pan Closeout Cover Bolt - Right Side	9 N·m	80 lb in
Oil Pan Cover Bolts	12 N·m	106 lb in
Oil Pan Drain Plug	25 N·m	18 lb ft
Oil Pan M6 Bolts - Oil Pan-to-Rear Oil Seal Housing	12 N·m	106 lb in
Oil Pan M8 Bolts - Oil Pan-to-Engine Block and Oil Pan-to-Front Cover	25 N·m	18 lb ft
Oil Pressure Sensor	35 N·m	26 lb ft
Oil Pump Cover Bolts	12 N·m	106 lb in
Oil Pump Relief Valve Plug	12 N·m	106 lb in
Oil Pump Screen Nuts	25 N·m	18 lb ft
Oil Pump Screen-to-Oil Pump Bolt	12 N·m	106 lb in
Oil Pump-to-Engine Block Bolts	25 N·m	18 lb ft
Spark Plugs	15 N·m	11 lb ft
Throttle Body Bolts	10 N·m	89 lb in
Timing Chain Dampener Bolts	25 N·m	18 lb ft
Valley Cover Bolts	25 N·m	18 lb ft
Valve Lifter Guide Bolts	12 N·m	106 lb in
Valve Rocker Arm Bolts	30 N·m	22 lb ft
Valve Rocker Arm Cover Bolts	12 N·m	106 lb in
Water Inlet Housing Bolts	15 N·m	11 lb ft
Water Pump Bolts - First Pass	15 N·m	11 lb ft
Water Pump Bolts - Final Pass	30 N·m	22 lb ft

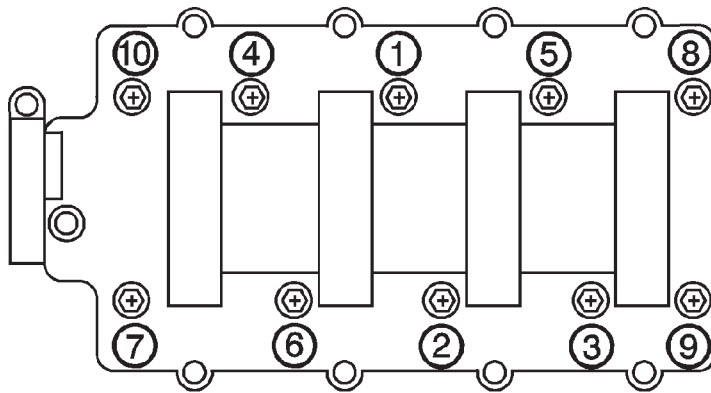
DATE	REVISION	AUTH

LS376/480 Crate Engine Torque Sequences

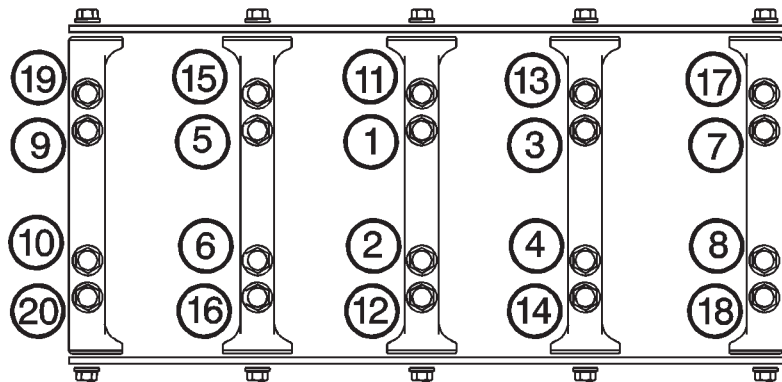
Cylinder Head Bolts



Intake Manifold Bolts (arrow indicates front of engine)



Crankshaft Bearing Cap Bolts and Studs (arrow indicates front of engine)



DATE	REVISION	AUTH

LS376/480 Service Parts List:

Part Number	Qty	Name
12569167	8	ARM ASM,INTAKE VALVE ROCKER
10214664	8	ARM ASM,VALVE ROCKER
12601402	1	BALANCER,CRANKSHAFT
89017572	1	BEARING KIT, CRANKSHAFT (POSITION 3)
89017571	4	BEARING KIT, CRANKSHAFT (POSITIONS 1,2,4,5)
89017573	8	BEARING KIT,CONNECTING ROD
12558539	1	BEARING,CAMSHAFT (POSITION 3)
12574413	2	BEARING,CAMSHAFT (POSITIONS 1,5)
12574414	2	BEARING,CAMSHAFT (POSITIONS 2,4)
12584727	1	BLOCK ASM,ENGINE
12570790	1	BODY ASM,THROTTLE
12551177	4	BOLT/SCREW,CAMSHAFT RETAINER
12556127	3	BOLT/SCREW,CAMSHAFT SPROCKET
11561455	4	BOLT/SCREW,CAMSHAFT THRUST PLATE
11570662	16	BOLT/SCREW,CONNECTING ROD
12557840	1	BOLT/SCREW,CRANKSHAFT BALANCER
12560272	10	BOLT/SCREW,CRANKSHAFT BRG CAP
12556127	10	BOLT/SCREW,CRANKSHAFT BRG CAP (SIDE)
11588723	12	BOLT/SCREW,CRANKSHAFT RR OIL SEAL
11588723	12	BOLT/SCREW,CRANKSHAFT RR OIL SEAL
12551177	1	BOLT/SCREW,CRANKSHAFT POSITION SENSOR
11562524	20	BOLT/SCREW,CYLINDER HEAD
12558840	10	BOLT/SCREW,CYLINDER HEAD
11519978	11	BOLT/SCREW,ENG BLOCK VALLEY
11516486	4	BOLT/SCREW,ENG COOLANT AIR BLEED PIPE
12551187	8	BOLT/SCREW,ENG FRT COVER
11588712	2	BOLT/SCREW,ENG FRT COVER
11588739	4	BOLT/SCREW,ENG LIFT BRACKET
11588736	1	BOLT/SCREW,EVAPORATIVE EMISSION CANISTER
11519840	6	BOLT/SCREW,EXH MANIFOLD HEAT SHIELD
11519840	6	BOLT/SCREW,EXH MANIFOLD HEAT SHIELD
11518860	12	BOLT/SCREW,EXHAUST MANIFOLD FLANGE
12554211	4	BOLT/SCREW,F/INJECTION FUEL RAIL
12553332	6	BOLT/SCREW,FLYWHEEL
11516424	8	BOLT/SCREW,IGNITION COIL
11900243	8	BOLT/SCREW,IGNITION COIL
12552344	10	BOLT/SCREW,INTAKE MANIFOLD
11562253	1	BOLT/SCREW,MAP SENSOR
12551187	13	BOLT/SCREW, OIL PAN
12554900	2	BOLT/SCREW, OIL PAN
12551187	4	BOLT/SCREW,OIL PUMP

ALL INFORMATION WITHIN ABOVE BORDER TO BE PRINTED EXACTLY AS SHOWN ON 8 1/2 x 11 WHITE 16 POUND BOND PAPER. PRINT ON BOTH SIDES, EXCLUDING TEMPLATES. TO BE UNITIZED IN ACCORDANCE WITH GMSPO SPECIFICATIONS.	DATE	REVISION	AUTH

11509800	7	BOLT/SCREW,OIL PUMP COVER
11588712	1	BOLT/SCREW,OIL PUMP SUCTION PIPE
11588736	1	BOLT/SCREW,OIL LVL IND
3531733	8	BOLT/SCREW,PCV BFL
11519971	4	BOLT/SCREW,THROT BODY
11588364	2	BOLT/SCREW,TIMING CHAIN DAMPENER
12551163	4	BOLT/SCREW,VALVE LIFTER GUIDE
12560961	16	BOLT/SCREW,VALVE ROCKER ARM
12577215	8	BOLT/SCREW,VALVE ROCKER ARM
12551926	6	BOLT/SCREW,WATER PUMP
11516480	2	BOLT/SCREW,WATER PUMP INLET
12577830	1	BRACKET,EVAPORATIVE EMISSION CANISTER
12574634	1	BRACKET,F/INJECTION FUEL RAIL
12580353	2	BRACKET,IGNITION COIL
88958733	1	CAMSHAFT ASM
12577268	1	CAP ASM,OIL FIL
25532662	1	CAP,FUEL PRESS SERV VALVE
10166344	16	CAP,VALVE SPRING
12586482	1	CHAIN ASM,TIMING
12573190	4	COIL ASM,IGNITION (ROUND SHAPED COIL)
12570616	8	COIL ASM,IGNITION (SQUARE SHAPED COIL)
12599296	1	COVER ASM,ENG BLK VALLEY
12602540	2	COVER ASM,ENG COOL AIR BLD PIPE HOLE
12600325	1	COVER ASM,ENG FRT
12570427	1	COVER ASM,VALVE ROCKER ARM (LEFT)
12582224	1	COVER ASM,VALVE ROCKER ARM (RIGHT)
12604708	1	COVER,INTAKE MANIFOLD
12597569	1	CRANKSHAFT ASM
12588670	1	DAMPENER ASM,TIMING CHAIN
12558189	1	DEFLECTOR,CRANKSHAFT OIL
12567915	1	FITTING,PCV
89017839	4	GASKET KIT,INT MANIFOLD (2 PER KIT)
12574293	1	GASKET,CRANKSHAFT RR OIL SEAL
12610046	2	GASKET,CYL HD
12610141	1	GASKET,ENG BLK VALLEY COVER
12574294	1	GASKET,ENG FRT COVER
12610305	2	GASKET,EXHAUST MANIFOLD
12558760	1	GASKET, OIL PAN
12560696	2	GASKET,VALVE ROCKER ARM COVER
12610311	2	GASKET,WATER PUMP
12595365	2	GUIDE,VALVE LIFTER
12600825	2	HEAD ASM,CYL
12600254	1	HOSE,ENG COOL AIR BLEED PIPE

ALL INFORMATION WITHIN ABOVE BORDER TO BE PRINTED EXACTLY AS SHOWN ON 8 1/2 x 11 WHITE 16 POUND BOND PAPER. PRINT ON BOTH SIDES, EXCLUDING TEMPLATES.
TO BE UNITIZED IN ACCORDANCE WITH GMSPO SPECIFICATIONS.

DATE	REVISION	AUTH

12615666	1	HOUSING ASM,CRANKSHAFT RR OIL SEAL
12614813	1	HOUSING ASM,CRANKSHAFT RR OIL SEAL
12570788	1	INDICATOR ASM,OIL LVL
12576341	8	INJECTOR ASM,SEQ M/PORT
12600172	1	INLET ASM,WATER PUMP
12561513	1	KEY,CRANKSHAFT BALANCER
10166345	16	KEY,VALVE STEM
17122490	8	LIFTER ASM,VALVE
12603758	1	MANIFOLD,EXHAUST (LEFT)
12603760	1	MANIFOLD,EXHAUST (RIGHT)
12602477	1	MANIFOLD,INTAKE
11516076	9	NUT,CRANKSHAFT OIL DEFLECTOR
11516076	1	NUT,OIL PUMP SUCTION PIPE
12598186	1	PAN ASM, OIL
24575061	1	PIN,CAMSHAFT SPROCKET LOC
12570326	4	PIN,CYL HD LOC
3736406	2	PIN,TRANS LOC
12602548	1	PIPE ASM,ENG COOL AIR BLEED
19168089	8	PISTON ASM,(W/ PIN)
12582437	1	PLATE ASM,A/TRNS FLEX (W/HUB)
11610259	1	PLUG ASM,CYL HD CORE HOLE
9427693	1	PLUG ASM,ENG BLK OIL GALLEY
12573460	1	PLUG ASM,ENG BLK OIL GALLEY
11569958	2	PLUG ASM,ENG BLK OIL GALLEY
24502262	1	PLUG,CYL HD CORE HOLE
11569958	1	PLUG,ENG BLK COOL DRN HOLE
11609289	1	PLUG,ENG BLK COOL DRN HOLE
12602048	2	PLUG,ENG COOL AIR BLEED
12579145	1	PLUG,PCV VALVE COVER
12586665	1	PUMP ASM,OIL
12600465	1	PUMP ASM,WATER
12572174	1	RAIL ASM,M/PORT F/INJECTION
12589016	1	RETAINER,CAMSHAFT
24503227	8	RETAINER,FUEL INJECTOR
12569638	16	RETAINER,PISTON PIN
19168090	8	RING KIT,PISTON
12586768	1	RING,CRANKSHAFT POSITION SENSOR EXCITER
12617570	8	ROD ASM,CONNECTING
10238852	16	ROD ASM,VALVE PUSH
12558750	1	SCREEN ASM,OIL PUMP (W/ SUCTION PIPE)
12561244	1	SEAL ASM,CRANKSHAFT FRT OIL
12602972	1	SEAL ASM,CRANKSHAFT RR OIL
89017587	8	SEAL KIT,FUEL INJECTOR (INJECTOR AND RAIL)
12610160	8	SEAL,ENG BLOCK VALLEY COVER

DATE	REVISION	AUTH

12602541	2	SEAL,ENG COOLANT AIR BL PIPE (O RING)
12585673	1	SEAL,ENG FRT COVER
12565209	8	SEAL,EXH VALVE STEM OIL
12560251	2	SEAL,INT MANIFOLD
12565208	8	SEAL,INT VALVE STEM OIL
12557752	1	SEAL,OIL PUMP SUCTION PIPE (O RING)
24100002	1	SEAL,OIL FIL TUBE (O RING)
24504031	2	SEAL,OIL LVL IND TUBE (O RING)
12576549	1	SEAL,THROT BODY
12570307	1	SEAL,WAT INLET
12585545	1	SENSOR ASM,CAMSHAFT POSITION
12585546	1	SENSOR ASM,CRANKSHAFT POSITION
12608814	1	SENSOR ASM,ENG COOLANT TEMPERATURE
12603781	1	SENSOR ASM,ENG OIL LEVEL
12573107	1	SENSOR ASM,ENG OIL PRESSURE
12570125	2	SENSOR ASM,KNOCK
12591290	1	SENSOR ASM,MAP
12576823	1	SHIELD,EXHAUST MANIFOLD HEAT (LEFT)
12576822	1	SHIELD,EXHAUST MANIFOLD HEAT (RIGHT)
15336959	1	SHIELD,SPARK PLUG WIRE
12586484	16	SPRING ASM,VALVE
12586481	1	SPROCKET,CAMSHAFT
12556582	1	SPROCKET,CRANKSHAFT
12594090	1	STOP,FUEL INJECTION FUEL RAIL
12608381	1	STOP,FUEL INJECTION FUEL RAIL
12560273	10	STUD,CRANKSHAFT BRG CAP
11518424	4	STUD,EXHAUST MANIFOLD
12554211	10	STUD,IGNITION COIL BRKT
12600936	2	SUPPORT,VALVE ROCKER ARM PIVOT
12600171	1	THERMOSTAT ASM,ENG COOL
12570787	1	TUBE ASM,OIL LEVEL INDICATOR
12607115	1	TUBE,EVAPORATIVE EMISSION CANISTER PURGE
12559505	1	TUBE,OIL FILL
12599298	1	TUBE,PCV
12597341	1	VALVE ASM,EVAPORATIVE EMISSION CANISTER PURGE
12574525	1	VALVE ASM,FUEL PRESS SERVICE
12582719	8	VALVE,EXHAUST
12569427	8	VALVE,INTAKE
12603843	1	WASHER,CRANKSHAFT BALANCER
12600525	1	WASHER,CRANKSHAFT BALANCER
12593593	1	WIRE ASM,CAMSHAFT POSITION SENSOR
12579355	2	WIRE ASM,IGNITION COIL
89018057	8	WIRE ASM,SPARK PLUG (1 WIRE)
89018058	1	WIRE KIT,SPARK PLUG (8 WIRES)

DATE	REVISION	AUTH

**Caractéristiques techniques du moteur en caisse LS376/480
à injection multipoint (19171224)
Numéro de pièce des caractéristiques techniques 19172182**

Merci d'avoir choisi les pièces de GM Performance Parts. GM Performance Parts s'est engagée à offrir une technologie de rendement éprouvée et novatrice qui est réellement... beaucoup plus que de la puissance. Les pièces de GM Performance Parts ont été conçues, élaborées et mises à l'essai de manière à dépasser vos attentes d'ajustage précis et de fonction. Prière de se reporter à notre catalogue pour trouver le centre de GM Performance Parts agréé le plus près, ou aller sur notre site Web à www.gmperformanceparts.com.

La présente publication offre de l'information d'ordre général sur les composants et les procédures pouvant s'avérer utile lors de l'installation ou de l'entretien du moteur en caisse LS376/480. Prière de lire cette publication tout entière avant d'entamer le travail.

L'assemblage du moteur en caisse LS376/480 est effectué en utilisant des composants neufs de première qualité. Celui-ci est basé sur l'architecture Gen IV de série LS et utilise des technologies modernes telles que l'injection de carburant, des bobines d'allumage individuelles par cylindre, et la commande électronique de l'accélérateur. Compte tenu de la vaste gamme d'applications de moteurs à bloc compact, si l'on pose en après-vente une application antérieure à bloc compact, il se peut que l'on constate des différences d'installation entre le moteur en caisse LS376/480 et la version précédente. Ces différences peuvent nécessiter des modifications ou des composants supplémentaires qui ne sont pas compris avec le moteur LS376/480, y compris les systèmes de refroidissement, électrique et d'échappement, ainsi que le circuit d'alimentation. Il se peut qu'une certaine fabrication soit requise.

Le moteur en caisse LS376/480 nécessite un système de commande du moteur et un faisceau de câblage que l'on peut se procurer auprès d'un concessionnaire de GM Performance Parts. Se renseigner auprès de son concessionnaire ou aller à gmperformanceparts.com pour prendre connaissance des ensembles de systèmes de commande disponibles actuellement. En règle générale, l'exigence relative au circuit d'alimentation est de 400 kPa (60 lb/po²) de pression constante de carburant; toutefois, il faut vérifier l'information comprise dans le système de commande du moteur pour confirmer l'exigence réelle de pression.

Remarque à l'intention de l'utilisateur : Le moteur en caisse LS 376/480 de GM Performance Parts (19171224) est muni de la LS Hot Cam (88958733), qui est un arbre à cames haute performance qui peut entraîner une légère surtension lorsque le moteur tourne à moins de 2 500 tr/mn sous une légère charge. Cela doit être considéré comme étant un phénomène normal du fonctionnement compte tenu de la nature dynamique de la LS Hot Cam. Cette surtension peut être évitée en augmentant le régime du moteur ou des gaz du moteur à la même vitesse donnée. Aux pleins gaz, aucune surtension ne devrait se manifester lorsque l'on utilise un système de commande du moteur de GMPP conçu pour le moteur LS376/480.

Ces caractéristiques techniques ne sont pas destinées à remplacer les pratiques d'entretien complètes et détaillées expliquées dans les manuels d'atelier GM.

Pour obtenir de l'information sur l'étendue de la garantie, prière de communiquer avec le concessionnaire GM Performance Parts de sa localité.

Observer toutes les mises en garde des manuels d'atelier relatives à la sécurité lors de l'installation d'un moteur en caisse LS376/480 dans tout véhicule. Porter des lunettes de sécurité et des vêtements de protection appropriés. Soutenir le véhicule sur des chandelles lors des manœuvres en dessous ou à proximité du véhicule. N'utiliser que les outils appropriés. Faire preuve d'une extrême prudence lors de la manipulation de liquides et de matières inflammables, corrosifs et dangereux. Certaines procédures exigent de l'équipement et des compétences spéciaux. Si l'on ne possède pas la formation, l'expérience ou les outils appropriés pour effectuer quelque manœuvre de conversion que ce soit en toute sécurité, prière de faire effectuer le travail par un professionnel.

TITLE LS376/480 EFI Crate Engine Specifications	IR 14SE07	PART NO. 19172182	PAGE 13 OF 36
--	-----------	--------------------------	-----------------------------

ALL INFORMATION WITHIN ABOVE BORDER TO BE PRINTED EXACTLY AS SHOWN ON 8 1/2 x 11 WHITE 16 POUND BOND PAPER. PRINT ON BOTH SIDES, EXCLUDING TEMPLATES. TO BE UNITIZED IN ACCORDANCE WITH GMSPO SPECIFICATIONS.	DATE	REVISION	AUTH

Information juridique et en matière d'émissions

La présente publication a pour objet d'offrir des renseignements sur le moteur en caisse LS376/480 et les composants connexes. Ce guide décrit également les procédures et les modifications pouvant s'avérer utiles lors de l'installation d'un moteur en caisse LS376/480. Ces renseignements ne sont pas destinés à remplacer les manuels d'atelier complets et les catalogues de pièces en matière de moteurs et de composants de la General Motors. Plutôt, ce guide a été conçu pour offrir des renseignements supplémentaires sur les matières pouvant intéresser les «bricoleurs» et les mécaniciens.

Cette publication s'applique aux moteurs et aux véhicules qui sont utilisés hors des voies publiques, sauf indication contraire expresse. Les règlements fédéraux restreignent la dépose des véhicules automobiles de toute partie d'un système antipollution exigé par la loi fédérale. En outre, de nombreux États ont établi des lois qui interdisent le trafiquage ou la modification de tout système antipollution ou antibruit exigé par la loi. En règle générale, les véhicules qui ne roulent pas sur les voies publiques, tout comme certains véhicules d'intérêt spécial et pré-émissions, sont exempts de la plupart de la réglementation. On suggère fortement au lecteur de consulter tous les règlements municipaux et provinciaux applicables.

Plusieurs des pièces qui sont décrites ou énumérées dans le présent ouvrage sont commercialisées à des fins hors autoroute seulement et elles portent l'étiquette «Special Parts Notice» (avis spécial sur les pièces) qui est reproduite ici.

«Special Parts Notice» (avis spécial sur les pièces)

Cette pièce a été conçue spécifiquement pour une application hors autoroute seulement. Puisque l'installation de cette pièce pourrait nuire au rendement antipollution du véhicule ou donner lieu à son manque d'homologation en vertu des normes de sécurité actuelles des véhicules automobiles, celle-ci ne doit pas être installée dans un véhicule qui sera utilisé sur une voie publique ou une autoroute. En outre, une telle application pourrait donner lieu à l'annulation de la garantie d'un tel véhicule hors route ou hors autoroute.

L'information contenue dans la présente publication est présentée sans garantie. L'utilisateur assume tout le risque de son utilisation. La conception des composants particuliers, les procédures mécaniques et les compétences des lecteurs individuels sont indépendantes de la volonté de l'éditeur et, ainsi, ce dernier se décharge de toute responsabilité liée à l'utilisation de l'information fournie dans la présente publication.

Chevrolet, Chevy, l'emblème du nœud papillon Chevrolet, General Motors et GM sont tous des marques déposées de la société General Motors.

Contenu de l'emballage :

<u>Article</u>	<u>Description</u>	<u>Quantité</u>	<u>Numéro de pièce GM</u>
1	Ensemble de moteur	1	19166565
2	Consignes relatives au moteur	1	19172182

Renseignements sur les composants :

Le moteur en caisse LS376/480 utilise des composants de stocks LS3 2008, sauf tel que noté ci-dessous. Le concessionnaire de GM Performance Parts peut retrouver des renseignements techniques supplémentaires qui ne figurent pas dans le présent document sous l'ÉFC LS3 (Corvette 2008) et ce, pour tous les composants sauf ceux qui sont mentionnés ci-dessous. Lors de l'entretien ou du remplacement des composants ci-dessous, se reporter à l'information relative à un moteur LS2 (Corvette) 2006.

Arbre à cames

Le moteur en caisse LS376/480 est muni d'un arbre à cames 88958733 de GM Performance Parts qui comporte un support à pignon à 3 boulons.

Pignon d'arbre à cames et boulons

Le pignon d'arbre à cames 12586481 et les boulons 12556127 (qté de 3) sont utilisés conjointement avec la conception d'arbre à cames à 3 boulons.

Amortisseur de chaîne de distribution

L'amortisseur de chaîne de distribution 12588670 et les boulons 11588364 (qté de 2) sont utilisés conjointement avec cette conception, plutôt que le tendeur de chaîne de style LS3.

Pièces supplémentaires pouvant être requises :

Système de commande du moteur

Tel que mentionné ci-dessus, le moteur en caisse LS376/480 nécessite un système de commande du moteur et un faisceau de câblage que l'on peut se procurer auprès d'un concessionnaire de GM Performance Parts. Se renseigner auprès de son concessionnaires ou aller à gmperformanceparts.com pour prendre connaissance des ensembles de systèmes de commande disponibles actuellement.

Volant moteur :

Le moteur en caisse LS376/480 comprend une tôle d'entraînement d'origine (12582437) utilisée sur les applications de Corvette 2008. Le volant moteur 12571611 est également disponible auprès du concessionnaire de GM Performance Parts pour les applications de boîtes de vitesses manuelles.

Roulement-guide :

On doit installer un roulement-guide derrière le vilebrequin si l'on prévoit utiliser le moteur conjointement avec une boîte manuelle. Le roulement-guide aligne l'arbre primaire de la boîte de vitesses avec l'axe central du vilebrequin. Un roulement-guide usé ou désaligné peut provoquer des anomalies de changement de vitesse et une usure rapide de l'embrayage. Le roulement-guide 12557583 est un roulement d'origine utilisé avec ce type de moteur et celui-ci est recommandé.

Démarrreur :

Le moteur en caisse LS376/480 ne comprend pas de démarreur. Le numéro de pièce 10465385 de GM Performance Parts correspond à cette application et est recommandé. Prière de consulter son concessionnaire de GM Performance Parts pour obtenir les détails.

Admission d'air :

Un filtre à air à faible restriction et à élément de mousse ou de papier devrait être utilisé pour protéger le moteur contre l'usure excessive. En outre, il se peut que certains filtres à air et systèmes d'admission soient recommandés pour le rendement optimal du système de commande du moteur.

Pompe à carburant :

Le moteur LS376/480 ne comprend pas de pompe à carburant. En règle générale, l'exigence du système d'injection multipoint est de 60 lb/po² de pression constante; toutefois, vérifier l'information sur le système de commande du moteur pour prendre connaissance des recommandations afférentes. La pompe à carburant choisie doit être en mesure de fournir 45 gal./h à la pression recommandée. Le numéro de pièce 19151145 de GM est une pompe dans le réservoir qui satisfait à ces exigences; toutefois, il se peut que celle-ci ne puisse être adaptée à toutes les applications. De nombreuses pompes de rechange sont également conformes à ces exigences.

TITLE LS376/480 EFI Crate Engine Specifications	IR 14SE07	PART NO. 19172182	PAGE 15 OF 36
--	-----------	--------------------------	-----------------------------

ALL INFORMATION WITHIN ABOVE BORDER TO BE PRINTED EXACTLY AS SHOWN ON 8 1/2 x 11 WHITE 16 POUND BOND PAPER. PRINT ON BOTH SIDES, EXCLUDING TEMPLATES. TO BE UNITIZED IN ACCORDANCE WITH GMSPO SPECIFICATIONS.	DATE	REVISION	AUTH

Supports d'entraînement des accessoires :

La trousse d'entraînement des accessoires 19155067 utilisable avec le moteur LS376/480 est disponible auprès de GM Performance Parts. Celle-ci comprend tous les composants et toute la quincaillerie nécessaires aux fins d'installation (comprend le compresseur de climatiseur, la pompe de servodirection et l'alternateur). Prière de consulter son concessionnaire GM Performance Parts ou d'aller sur le Web à www.gmperformanceparts.com.

Procédures de démarrage et de rodage

La sécurité d'abord. Si le véhicule repose sur le sol, s'assurer que le frein d'urgence est serré, que des cales sont placées sous les roues et que la boîte de vitesses de la voiture ne peut passer en prise. S'assurer que tout est installé de manière appropriée et que rien n'a été oublié.

1. **Ce moteur doit être rempli d'huile.** Après avoir installé le moteur, s'assurer que le carter moteur a été rempli d'huile à moteur appropriée jusqu'au niveau de remplissage d'huile recommandé sur la jauge. Le moteur en caisse LS376/480 nécessite une huile spéciale conforme à la norme GM4718M de GM (ce fait sera indiqué sur l'étiquette de l'huile). La Mobil 1 est l'une de ces huiles recommandées. D'autres huiles conformes à cette norme peuvent être identifiées comme étant synthétiques. Toutefois, ce ne sont pas toutes les huiles synthétiques qui sont conformes à cette norme de GM. Rechercher et utiliser seulement une huile qui est conforme à la norme GM4718M de GM. En outre, vérifier et faire le plein, selon le besoin, de tout autre liquide nécessaire comme le liquide de refroidissement, le liquide de direction assistée, etc.
2. Le moteur doit être amorcé d'huile préalablement au démarrage. Installer un manomètre d'huile (l'emplacement du capteur de pression d'huile existant sur la partie supérieure arrière du moteur peut être utilisé) et débrancher le système de commande du moteur (en règle générale, la coupure de l'alimentation du module de commande du moteur est recommandée; toutefois, consulter l'information sur le système de commande du moteur pour obtenir des détails supplémentaires). Nota : Il n'est pas conseillé de débrancher seulement les connecteurs d'allumage ou des injecteurs – s'assurer que le système de commande ne fournira ni l'allumage ni le carburant au moteur.
3. Une fois le système de commande du moteur débranché, lancer le moteur pendant 10 secondes au moyen du démarreur et vérifier la pression d'huile. Si aucune pression n'est indiquée, attendre 30 secondes et lancer le moteur de nouveau pendant 10 secondes. Reprendre ce processus jusqu'à ce que la pression d'huile soit indiquée sur le manomètre.
4. Rebrancher le système de commande du moteur. Faire démarrer le moteur et être à l'écoute pour tout bruit anormal. Si l'on ne remarque aucun bruit anormal, faire tourner le moteur à environ 1 000 tr/mn jusqu'à ce que la température de fonctionnement normale soit atteinte.
5. Dans la mesure du possible, toujours laisser réchauffer le moteur avant de se mettre à conduire. Une bonne pratique consiste à permettre à la température du carter d'huile et de l'eau d'atteindre 180 °F avant de remorquer de lourdes charges ou d'effectuer une accélération brusque.
6. Le moteur devrait tourner sous différentes charges et dans des conditions diverses pendant les 30 premiers milles, ou pendant une heure, sans papillon grand ouvert ou accélérations soutenues à régime élevé.
7. Effectuer cinq ou six accélérations à gaz moyens (50 %) jusqu'à environ 4 000 tr/mn puis retourner à la marche au ralenti (0 % des gaz) en prise.
8. Effectuer deux ou trois accélérations dures (pleins gaz à 100 %) jusqu'à environ 4 000 tr/mn puis retourner à la marche au ralenti (0 % des gaz) en prise.
9. Vidanger l'huile et remplacer le filtre. Vidanger l'huile selon les caractéristiques techniques mentionnées à l'étape 1, et remplacer le filtre par un filtre à huile neuf PF48 d'AC Delco. Inspecter l'huile et le filtre à huile afin de déceler toute particule étrangère pour s'assurer que le moteur fonctionne de manière appropriée.
10. Conduire la prochaine distance de 500 milles (de 12 à 15 heures moteur) dans des conditions normales. Ne pas laisser le moteur tourner à son régime nominal maximal. En outre, ne pas exposer le moteur à des périodes prolongées sous une charge élevée.
11. Vidanger l'huile et remplacer le filtre. Inspecter à nouveau l'huile et le filtre à huile afin de déceler toute particule étrangère pour s'assurer que le moteur fonctionne de manière appropriée.

TITLE LS376/480 EFI Crate Engine Specifications	IR 14SE07	PART NO. 19172182	PAGE 16 OF 36
--	-----------	--------------------------	-----------------------------

ALL INFORMATION WITHIN ABOVE BORDER TO BE PRINTED EXACTLY AS SHOWN ON 8 1/2 x 11 WHITE 16 POUND BOND PAPER. PRINT ON BOTH SIDES, EXCLUDING TEMPLATES. TO BE UNITIZED IN ACCORDANCE WITH GMSPO SPECIFICATIONS.	DATE	REVISION	AUTH

Caractéristiques techniques du moteur LS376/480 :

- Type : Gen IV V8 de 6,2 L à bloc compact
- Cylindrée : 376 po³
- Alésage x course : 10,33 cm x 9,2 cm (4,00 po x 3,48 po)
- Compression 10,7 à 1
- Bloc : Aluminium moulé, six boulons fixés latéralement aux chapeaux
..... principaux
- Culasse : Aluminium moulé, orifice rectangulaire
- Diamètre des soupapes
(d'admission et d'échappement) : 5,5 cm/4,04 cm (2,16 po/1,59 po)
- Volume de la chambre : 68 cc
- Vilebrequin : Fer nodulaire, à équilibrage interne
- Bielles : Métal fritté
- Pistons : Aluminium hypereutectique
- Arbre à cames : Poussoir à galet hydraulique
- Levée : Admission 13,3 mm (0,525 po), échappement 13,3 mm (0,525 po)
- Durée : Admission 219 °, échappement 228 ° à levée de poussoir de
..... 1,3 mm (0,050 po)
- Axe central : 112 ° LSA
- Rapport des culbuteurs : 1,7 à 1
- Contenance en huile : 5,5 pintes (avec filtre)
- Pression d'huile (minimale,
avec huile chaude) : 6 psig à 1 000 tr/mn
..... 18 psig à 2 000 tr/mn
..... 24 psig à 4 000 tr/mn
- Huile recommandée : Huile à moteur Mobil 1 5W30 (ou une autre huile conforme à la
..... norme GM4718M, qui sera précisée sur l'étiquette de l'huile)
- Filtre à huile : N/P PF48 d'AC Delco
- Carburant : Supercarburant sans plomb - 92 (R+M/2)
- Régime maximal du moteur : 6 600 tr/mn
- Bougies d'allumage : GM 12571164
..... N° 41-985 d'AC Delco
- Écartement des électrodes 1,02 mm (0,040 po)
- Ordre d'allumage : 1-8-7-2-6-5-4-3

L'information peut varier selon l'application. Toutes les caractéristiques techniques énumérées sont basées sur les plus récentes données de production disponibles à la date d'impression.

Couples de serrage du moteur en caisse LS376/480 :

Application

Caractéristique technique

	<u>Métrique</u>	<u>Anglais</u>
Boulon du capteur de position de l'arbre à cames	12 Nm	106 lb-po
Boulon du faisceau de câblage du capteur de position de l'arbre à cames	12 Nm	106 lb-po
Boulons de retenue de l'arbre à cames – boulons à tête hexagonale	25 Nm	18 lb-pi
Boulons de retenue de l'arbre à cames – boulons à tête TORX ^{MD}	15 Nm	11 lb-pi
Boulons de pignon d'arbre à cames	25 Nm	18 lb-pi
Boulons de chapeau de bielle – première passe de serrage	20 Nm	15 lb-pi
Boulons de chapeau de bielle – dernière passe de serrage	85 degrés	
Boulons de tuyau de purge d'air du liquide de refroidissement et de couvercle	12 Nm	106 lb-po
Sonde de température du liquide de refroidissement	20 Nm	15 lb-pi
Boulon d'amortisseur de vibrations – Passe de serrage d'installation pour s'assurer que l'amortisseur est entièrement installé	330 Nm	240 lb-pi
Boulon d'amortisseur de vibrations – première passe de serrage - Installer un boulon NEUF suite à la passe de serrage d'installation	50 Nm	37 lb-pi
Boulon d'amortisseur de vibrations – dernière passe de serrage	140 degrés	
Boulons M10 de chapeau de palier de vilebrequin – première passe de serrage de la séquence	20 Nm	15 lb-pi
Boulons M10 de chapeau de palier de vilebrequin – dernière passe de serrage de la séquence	80 degrés	
Goujons M10 de chapeau de palier de vilebrequin – première passe de serrage de la séquence	20 Nm	15 lb-pi
Goujons M10 de chapeau de palier de vilebrequin – dernière passe de serrage de la séquence	51 degrés	
Boulons M8 de chapeau de palier de vilebrequin	25 Nm	18 lb-pi
Écrous de déflecteur d'huile du vilebrequin	25 Nm	18 lb-pi
Boulon de capteur de position du vilebrequin	25 Nm	18 lb-pi
Boulons du boîtier de bague d'étanchéité arrière de vilebrequin	30 Nm	22 lb-pi
Boulons M11 de la culasse – première passe de serrage de la séquence	30 Nm	22 lb-pi
Boulons M11 de la culasse – deuxième passe de serrage de la séquence	90 degrés	
Boulons M11 de la culasse – dernière passe de serrage de la séquence	70 degrés	
Boulons M8 de la culasse – en séquence	30 Nm	22 lb-pi
Bouchon de liquide de refroidissement de la culasse	20 Nm	15 lb-pi
Bouchon d'orifice de vidange du liquide de refroidissement du bloc moteur	60 Nm	44 lb-pi
Bouchon de canalisation d'huile du bloc moteur	60 Nm	44 lb-pi
Boulon de l'électrovalve de purge de l'absorbeur de vapeurs de carburant	50 Nm	37 lb-pi
Boulons de collecteur d'échappement – première passe de serrage	15 Nm	11 lb-pi
Boulons de collecteur d'échappement – dernière passe de serrage	20 Nm	15 lb-pi
Boulons de blindage thermique du collecteur d'échappement	9 Nm	80 lb-po
Goujons de collecteur d'échappement	20 Nm	15 lb-pi
Boulons de volant moteur – première passe de serrage	20 Nm	15 lb-pi
Boulons de volant moteur – deuxième passe de serrage	50 Nm	37 lb-pi
Boulons de volant moteur – dernière passe de serrage	100 Nm	74 lb-pi
Boulons de carter avant	25 Nm	18 lb-pi

ALL INFORMATION WITHIN ABOVE BORDER TO BE PRINTED EXACTLY AS SHOWN ON 8 1/2 x 11 WHITE 16 POUND BOND PAPER. PRINT ON BOTH SIDES, EXCLUDING TEMPLATES. TO BE UNITIZED IN ACCORDANCE WITH GMSPO SPECIFICATIONS.	DATE	REVISION	AUTH

Application

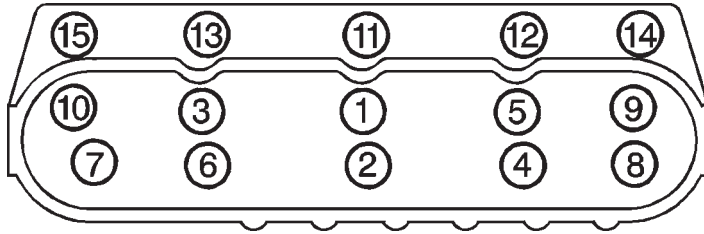
Caractéristique technique

	<u>Métrique</u>	<u>Anglais</u>
Boulons de rampe d'alimentation en carburant	10 N·m	89 lb-po
Goujon du support de bobine d'allumage au cache-culbuteurs	12 Nm	106 lb-po
Boulons de la bobine d'allumage au support	10 Nm	89 lb-po
Boulons de la tubulure d'admission – première passe de serrage de la séquence	5 Nm	44 lb-po
Boulons de la tubulure d'admission – dernière passe de serrage de la séquence	10 Nm	89 lb-po
Boulon M8 J 41798	25 Nm	18 lb-pi
Boulons M10 J 41798	50 Nm	37 lb-pi
Boulons de capteur de détonation	20 Nm	15 lb-pi
Boulons de l'équerre de fixation du support du moteur	50 Nm	37 lb-pi
Filtre à huile	30 Nm	22 lb-pi
Raccord de filtre à huile	55 Nm	40 lb-pi
Boulon du tube indicateur de niveau d'huile	25 Nm	18 lb-pi
Sonde de niveau d'huile	20 Nm	15 lb-pi
Boulon de couvercle de fermeture du carter d'huile – côté gauche	9 Nm	80 lb-po
Boulon de couvercle de fermeture du carter d'huile – côté droit	9 Nm	80 lb-po
Boulons du couvercle de carter d'huile	12 Nm	106 lb-po
Bouchon de vidange du carter d'huile	25 Nm	18 lb-pi
Boulons M6 du carter d'huile – carter d'huile au boîtier de bague d'étanchéité arrière	12 Nm	106 lb-po
Boulons M8 du carter d'huile – carter d'huile au bloc moteur et carter d'huile au carter de distribution	25 Nm	18 lb-pi
Capteur de pression d'huile	35 Nm	26 lb-pi
Boulons du couvercle de pompe à huile	12 Nm	106 lb-po
Bouchon du clapet de décharge de pompe à huile	12 Nm	106 lb-po
Écrous du tamis de pompe à huile	25 Nm	18 lb-pi
Boulon du tamis de pompe à huile à la pompe à huile	12 Nm	106 lb-po
Boulons de la pompe à huile au bloc moteur	25 Nm	18 lb-pi
Bougies d'allumage	15 Nm	11 lb-pi
Boulons du corps de papillon	10 Nm	89 lb-po
Boulons de l'amortisseur de chaîne de distribution	25 Nm	18 lb-pi
Boulons de couvercle concave	25 Nm	18 lb-pi
Boulons de guide de poussoir de soupape	12 Nm	106 lb-po
Boulons de culbuteur	30 Nm	22 lb-pi
Boulons de cache-culbuteurs	12 Nm	106 lb-po
Boulons de boîtier d'entrée d'eau	15 Nm	11 lb-pi
Boulons de pompe à eau – première passe de serrage	15 Nm	11 lb-pi
Boulons de pompe à eau – dernière passe de serrage	30 Nm	22 lb-pi

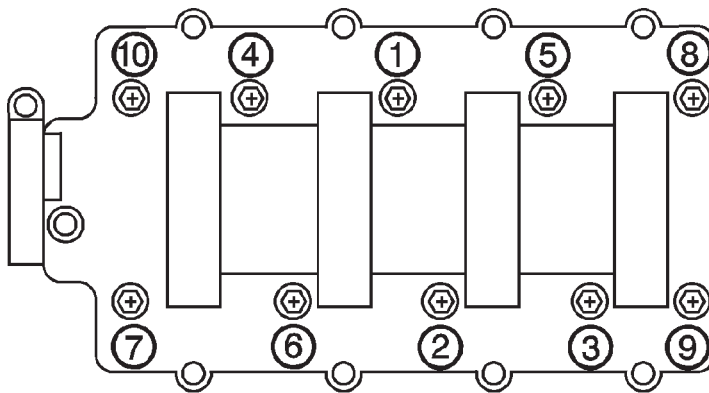
ALL INFORMATION WITHIN ABOVE BORDER TO BE PRINTED EXACTLY AS SHOWN ON 8 1/2 x 11 WHITE 16 POUND BOND PAPER. PRINT ON BOTH SIDES, EXCLUDING TEMPLATES. TO BE UNITIZED IN ACCORDANCE WITH GMSPO SPECIFICATIONS.	DATE	REVISION	AUTH

Séquences de serrage du moteur en caisse LS376/480

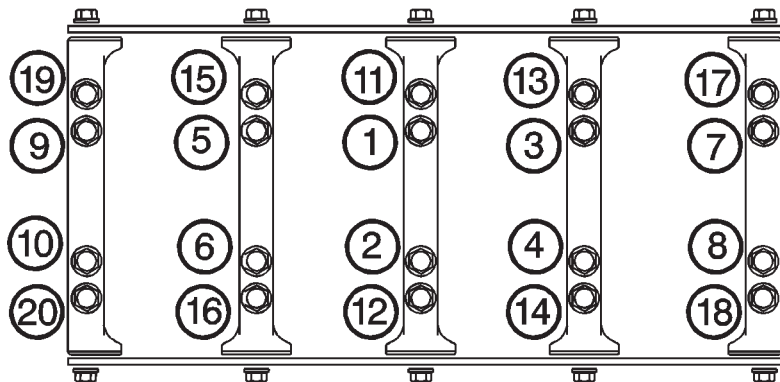
Boulons de culasse



Boulons de tubulure d'admission (la flèche indique l'avant du moteur)



Boulons et goujons de chapeau de palier de vilebrequin (la flèche indique l'avant du moteur)



DATE	REVISION	AUTH

Liste de pièces de rechange du moteur LS376/480 :

Numéro de pièce	Qté	Nom
12569167	8	ENS. DE CULBUTEUR DE SOUPAPE D'ADMISSION
10214664	8	ENS. DE CULBUTEUR DE SOUPAPE
12601402	1	AMORTISSEUR DE VIBRATIONS
89017572	1	TROUSSE DE PALIER DE VILEBREQUIN (POSITION 3)
89017571	4	TROUSSE DE PALIER DE VILEBREQUIN (POSITIONS 1, 2, 4, 5)
89017573	8	TROUSSE DE COUSSINET DE BIELLE
12558539	1	PALIER D'ARBRE À CAMES (POSITION 3)
12574413	2	PALIER D'ARBRE À CAMES (POSITIONS 1, 5)
12574414	2	PALIER D'ARBRE À CAMES (POSITIONS 2, 4)
12584727	1	ENS. DE BLOC MOTEUR
12570790	1	ENS. DE CORPS DE PAPILLON
12551177	4	BOULON DE RETENUE/VIS D'ARBRE À CAMES
12556127	3	BOULON/VIS DE PIGNON D'ARBRE À CAMES
11561455	4	BOULON/VIS DE PLAQUE DE BUTÉE D'ARBRE À CAMES
11570662	16	BOULON/VIS DE BIELLE
12557840	1	BOULON/VIS D'AMORTISSEUR DE VIBRATIONS
12560272	10	BOULON/VIS DE CHAPEAU DE PALIER DE VILEBREQUIN
12556127	10	BOULON/VIS DE CHAPEAU DE PALIER DE VILEBREQUIN (CÔTÉ)
11588723	12	BOULON/VIS DE JOINT D'ÉTANCHÉITÉ ARRIÈRE DE VILEBREQUIN
11588723	12	BOULON/VIS DE JOINT D'ÉTANCHÉITÉ ARRIÈRE DE VILEBREQUIN
12551177	1	BOULON/VIS DE CAPTEUR DE POSITION DU VILEBREQUIN
11562524	20	BOULON/VIS DE CULASSE
12558840	10	BOULON/VIS DE CULASSE
11519978	11	BOULON/VIS DE CREUX DU BLOC MOTEUR
11516486	4	BOULON/VIS DE TUYAU DE PURGE D'AIR DU LIQUIDE DE REFROIDISSEMENT DU MOTEUR
12551187	8	BOULON/VIS DE CARTER DE DISTRIBUTION DU MOTEUR
11588712	2	BOULON/VIS DE CARTER DE DISTRIBUTION DU MOTEUR
11588739	4	BOULON/VIS DE LÈVE-CULASSE DU MOTEUR
11588736	1	BOULON/VIS DE L'ABSORBEUR DE VAPEURS DE CARBURANT
11519840	6	BOULON/VIS DU BLINDAGE THERMIQUE DU COLLECTEUR D'ÉCHAPPEMENT
11519840	6	BOULON/VIS DU BLINDAGE THERMIQUE DU COLLECTEUR D'ÉCHAPPEMENT
11518860	12	BOULON/VIS DE LA BRIDE DU COLLECTEUR D'ÉCHAPPEMENT
12554211	4	BOULON/VIS DE LA RAMPE D'ALIMENTATION DE CARBURANT
12553332	6	BOULON/VIS DE VOLANT MOTEUR
11516424	8	BOULON/VIS DE BOBINE D'ALLUMAGE
11900243	8	BOULON/VIS DE BOBINE D'ALLUMAGE
12552344	10	BOULON/VIS DE TUBULURE D'ADMISSION
11562253	1	BOULON/VIS DE CAPTEUR DE PRESSION ABSOLUE DE LA TUBULURE D'ADMISSION
12551187	13	BOULON/VIS DE CARTER D'HUILE
12554900	2	BOULON/VIS DE CARTER D'HUILE
12551187	4	BOULON/VIS DE POMPE À HUILE

11509800	7	BOULON/VIS DE COUVERCLE DE POMPE À HUILE
11588712	1	BOULON/VIS DE TUYAU D'ASPIRATION DE POMPE À HUILE
11588736	1	BOULON/VIS D'INDICATEUR DE NIVEAU D'HUILE
3531733	8	BOULON/VIS DE CHICANE DE RGC
11519971	4	BOULON/VIS DE CORPS DE PAPILLON
11588364	2	BOULON/VIS D'AMORTISSEUR DE CHAÎNE DE DISTRIBUTION
12551163	4	BOULON/VIS DE GUIDE DE POUSSOIR DE SOUPAPE
12560961	16	BOULON/VIS DE CULBUTEUR
12577215	8	BOULON/VIS DE CULBUTEUR
12551926	6	BOULON/VIS DE POMPE À EAU
11516480	2	BOULON/VIS D'ENTRÉE DE POMPE À EAU
12577830	1	SUPPORT D'ABSORBEUR DE VAPEURS DE CARBURANT
12574634	1	SUPPORT DE RAMPE D'ALIMENTATION DE CARBURANT
12580353	2	SUPPORT DE BOBINE D'ALLUMAGE
88958733	1	ENS. D'ARBRE À CAMES
12577268	1	ENS. DE BOUCHON DE FILTRE À HUILE
25532662	1	BOUCHON DE ROBINET DE SERVICE DE PRESSION DE CARBURANT
10166344	16	CHAPEAU DE RESSORT DE SOUPAPE
12586482	1	ENS. DE CHAÎNE DE DISTRIBUTION
12573190	4	ENS. DE BOBINE D'ALLUMAGE (BOBINE DE FORME RONDE)
12570616	8	ENS. DE BOBINE D'ALLUMAGE (BOBINE DE FORME CARRÉE)
12599296	1	ENS. DE COUVERCLE DE CREUX DE BLOC MOTEUR
12602540	2	ENS. DE BOUCHON D'ORIFICE DE TUYAU DE PURGE D'AIR DE LIQUIDE DE REFROIDISSEMENT DU MOTEUR
12600325	1	ENS. DE COUVERCLE DE DISTRIBUTION AVANT
12570427	1	ENS. DE COUVERCLE DE CULBUTEUR (GAUCHE)
12582224	1	ENS. DE COUVERCLE DE CULBUTEUR (DROIT)
12604708	1	COUVERCLE DE TUBULURE D'ADMISSION
12597569	1	ENS. DE VILEBREQUIN
12588670	1	ENS. D'AMORTISSEUR DE CHAÎNE DE DISTRIBUTION
12558189	1	DÉFLECTEUR D'HUILE DU VILEBREQUIN
12567915	1	RACCORD DE RGC
89017839	4	TROUSSE DE JOINTS D'ÉTANCHÉITÉ DE TUBULURE D'ADMISSION (2 PAR TROUSSE)
12574293	1	JOINT D'ÉTANCHÉITÉ ARRIÈRE DE VILEBREQUIN
12610046	2	JOINT D'ÉTANCHÉITÉ DE CULASSE
12610141	1	JOINT D'ÉTANCHÉITÉ DE COUVERCLE DE CREUX DE BLOC MOTEUR
12574294	1	JOINT D'ÉTANCHÉITÉ DE CARTER DE DISTRIBUTION DU MOTEUR
12610305	2	JOINT D'ÉTANCHÉITÉ DE COLLECTEUR D'ÉCHAPPEMENT
12558760	1	JOINT D'ÉTANCHÉITÉ DE CARTER D'HUILE
12560696	2	JOINT D'ÉTANCHÉITÉ DE CACHE-CULBUTEURS
12610311	2	JOINT D'ÉTANCHÉITÉ DE POMPE À EAU
12595365	2	GUIDE DE POUSSOIR DE SOUPAPE
12600825	2	ENS. DE CULASSE
12600254	1	FLEXIBLE DE TUYAU DE PURGE D'AIR DE LIQUIDE DE REFROIDISSEMENT DU MOTEUR

ALL INFORMATION WITHIN ABOVE BORDER TO BE PRINTED EXACTLY AS SHOWN ON 8 1/2 x 11 WHITE 16 POUND BOND PAPER. PRINT ON BOTH SIDES, EXCLUDING TEMPLATES. TO BE UNITIZED IN ACCORDANCE WITH GMSPO SPECIFICATIONS.	DATE	REVISION	AUTH

12615666	1	ENS. DE BOÎTIER DE JOINT D'ÉTANCHÉITÉ ARRIÈRE DE VILEBREQUIN
12614813	1	ENS. DE BOÎTIER DE JOINT D'ÉTANCHÉITÉ ARRIÈRE DE VILEBREQUIN
12570788	1	ENS. D'INDICATEUR DE NIVEAU D'HUILE
12576341	8	ENS. D'INJECTION MULTIPOINT SÉQUENTIELLE
12600172	1	ENS. D'ENTRÉE DE POMPE À EAU
12561513	1	CLAVETTE D'AMORTISSEUR DE VIBRATIONS
10166345	16	CLAVETTE DE TIGE DE SOUPAPE
17122490	8	ENS. DE POUSSOIR DE SOUPAPE
12603758	1	COLLECTEUR D'ÉCHAPPEMENT (GAUCHE)
12603760	1	COLLECTEUR D'ÉCHAPPEMENT (DROIT)
12602477	1	TUBULURE D'ADMISSION
11516076	9	ÉCROU DE DÉFLECTEUR D'HUILE DU VILEBREQUIN
11516076	1	ÉCROU DE TUYAU D'ASPIRATION DE POMPE À HUILE
12598186	1	ENS. DE CARTER D'HUILE
24575061	1	ERGOT D'ARRÊT DE PIGNON D'ARBRE À CAMES
12570326	4	ERGOT D'ARRÊT DE CULASSE
3736406	2	ERGOT D'ARRÊT DE TRANS.
12602548	1	ENS. DE TUYAU DE PURGE D'AIR DE LIQUIDE DE REFROIDISSEMENT DU MOTEUR
19168089	8	ENSEMBLE DE PISTON (AVEC AXE)
12582437	1	ENS. DE TÔLE D'ENTRAÎNEMENT DE BOÎTE DE VITESSES AUTOMATIQUE (AVEC MOYEU)
11610259	1	ENS. DE BOUCHON D'ORIFICE DE CHEMISE D'EAU DE CULASSE
9427693	1	ENS. DE BOUCHON DE CANALISATION DE GRAISSAGE DE BLOC MOTEUR
12573460	1	ENS. DE BOUCHON DE CANALISATION DE GRAISSAGE DE BLOC MOTEUR
11569958	2	ENS. DE BOUCHON DE CANALISATION DE GRAISSAGE DE BLOC MOTEUR
24502262	1	BOUCHON D'ORIFICE DE CHEMISE D'EAU DE CULASSE
11569958	1	BOUCHON D'ORIFICE DE VIDANGE DE LIQUIDE DE REFROIDISSEMENT DU BLOC MOTEUR
11609289	1	BOUCHON D'ORIFICE DE VIDANGE DE LIQUIDE DE REFROIDISSEMENT DU BLOC MOTEUR
12602048	2	BOUCHON DE PURGE D'AIR DE LIQUIDE DE REFROIDISSEMENT DU MOTEUR
12579145	1	BOUCHON DE COUVERCLE DE SOUPAPE DE RECYCLAGE DES GAZ DE CARTER
12586665	1	ENS. DE POMPE À HUILE
12600465	1	ENS. DE POMPE À EAU
12572174	1	ENS. DE RAMPE D'ALIMENTATION IMP
12589016	1	DISPOSITIF DE RETENUE D'ARBRE À CAMES
24503227	8	DISPOSITIF DE RETENUE D'INJECTEUR
12569638	16	DISPOSITIF DE RETENUE D'AXE DE PISTON
19168090	8	TROUSSE DE SEGMENTS DE PISTON
12586768	1	BAGUE EXCITATRICE DE CAPTEUR DE POSITION DU VILEBREQUIN
12617570	8	ENSEMBLE DE BIELLE
10238852	16	ENS. DE TIGE-POUSSOIR DE SOUPAPE
12558750	1	ENS. DE TAMIS DE POMPE À HUILE (AVEC TUYAU D'ASPIRATION)
12561244	1	ENS. DE JOINT D'ÉTANCHÉITÉ AVANT DE VILEBREQUIN
12602972	1	ENS. DE JOINT D'ÉTANCHÉITÉ ARRIÈRE DE VILEBREQUIN
89017587	8	ENS. DE JOINT D'ÉTANCHÉITYÉ D'INJECTEUR (INJECTEUR ET RAMPE)
12610160	8	JOINT D'ÉTANCHÉITÉ DE COUVERCLE DE CREUX DE BLOC MOTEUR

12602541	2	JOINT D'ÉTANCHÉITÉ DE TUYAU DE PURGE D'AIR DE LIQUIDE DE REFROIDISSEMENT DU MOTEUR (JOINT TORIQUE)
12585673	1	JOINT D'ÉTANCHÉITÉ DE CARTER DE DISTRIBUTION DU MOTEUR
12565209	8	BAGUE D'ÉTANCHÉITÉ DE TIGE DE SOUPE D'ÉCHAPPEMENT
12560251	2	JOINT D'ÉTANCHÉITÉ DE TUBULURE D'ADMISSION
12565208	8	BAGUE D'ÉTANCHÉITÉ DE TIGE DE SOUPE D'ADMISSION
12557752	1	JOINT D'ÉTANCHÉITÉ DE TUYAU D'ASPIRATION DE POMPE À HUILE (JOINT TORIQUE)
24100002	1	JOINT D'ÉTANCHÉITÉ DU TUBE DE REMPLISSAGE D'HUILE (JOINT TORIQUE)
24504031	2	JOINT D'ÉTANCHÉITÉ DU TUBE D'INDICATEUR DE NIVEAU D'HUILE (JOINT TORIQUE)
12576549	1	JOINT D'ÉTANCHÉITÉ DE CORPS DE PAPILLON
12570307	1	JOINT D'ÉTANCHÉITÉ D'ENTRÉE D'EAU
12585545	1	ENS. DE CAPTEUR DE POSITION DE L'ARBRE À CAMES
12585546	1	ENS. DE CAPTEUR DE POSITION DE VILEBREQUIN
12608814	1	ENS. DE SONDE DE TEMPÉRATURE DU LIQUIDE DE REFROIDISSEMENT
12603781	1	ENS. DE SONDE DE NIVEAU D'HUILE DU MOTEUR
12573107	1	ENS. DE CAPTEUR DE PRESSION D'HUILE DU MOTEUR
12570125	2	ENS. DE CAPTEUR DE DÉTONATION
12591290	1	ENS. DE CAPTEUR DE PRESSION ABSOLUE DE LA TUBULURE D'ADMISSION
12576823	1	BLINDAGE THERMIQUE DU COLLECTEUR D'ÉCHAPPEMENT (GAUCHE)
12576822	1	BLINDAGE THERMIQUE DU COLLECTEUR D'ÉCHAPPEMENT (DROIT)
15336959	1	BLINDAGE DE CÂBLE DE BOUGIE D'ALLUMAGE
12586484	16	ENS. DE RESSORT DE SOUPE
12586481	1	PIGNON D'ARBRE À CAMES
12556582	1	PIGNON DE VILEBREQUIN
12594090	1	BUTOIR DE RAMPE D'ALIMENTATION
12608381	1	BUTOIR DE RAMPE D'ALIMENTATION
12560273	10	GOUJON DE CHAPEAU DE PALIER DE VILEBREQUIN
11518424	4	GOUJON DE COLLECTEUR D'ÉCHAPPEMENT
12554211	10	GOUJON DE SUPPORT DE BOBINE D'ALLUMAGE
12600936	2	SUPPORT DE PIVOT DE CULBUTEUR
12600171	1	ENS. DE THERMOSTAT DE REFROIDISSEMENT DU MOTEUR
12570787	1	ENS. DE TUBE D'INDICATEUR DE NIVEAU D'HUILE
12607115	1	TUBE DE PURGE DE L'ABSORBEUR DE VAPERUS DE CARBURANT
12559505	1	TUBE DE REMPLISSAGE D'HUILE
12599298	1	TUBE DE RGC
12597341	1	ENS. DE SOUPE DE PURGE DE L'ABSORBEUR DE VAPEURS DE CARBURANT
12574525	1	ENS. DE ROBINET DE SERVICE DE PRESSION DE CARBURANT
12582719	8	SOUPE D'ÉCHAPPEMENT
12569427	8	SOUPE D'ADMISSION
12603843	1	RONDELLE D'AMORTISSEUR DE VIBRATIONS
12600525	1	RONDELLE D'AMORTISSEUR DE VIBRATIONS
12593593	1	ENS. DE CÂBLE DE CAPTEUR DE POSITION DE L'ARBRE À CAMES
12579355	2	ENS. DE CÂBLE DE BOBINE D'ALLUMAGE
89018057	8	ENS. DE CÂBLE DE BOUGIE D'ALLUMAGE (1 CÂBLE)
89018058	1	ENS. DE CÂBLE DE BOUGIE D'ALLUMAGE (8 CÂBLES)

Especificaciones del motor de jaula EFI LS376/480 (19171224)

Especificaciones del número de parte 19172182

Gracias por elegir GM Performance Parts como su proveedor de alto rendimiento. GM Performance Parts tiene el compromiso de brindar tecnología de alto desempeño innovadora comprobada que sea verdaderamente... más que únicamente rendimiento. GM Performance Parts están diseñadas, desarrolladas y probadas para superar sus expectativas en cuanto a adaptación y funcionalidad. Consulte nuestro catálogo para obtener información sobre el Centro autorizado de GM Performance Parts más cercano a usted o visite nuestro sitio Web en www.gmperformanceparts.com.

Esta publicación brinda información general sobre los componentes y procedimientos que pueden ser útiles al instalar o dar servicio a un motor de jaula LS376/480. Lea toda la documentación antes de empezar a trabajar.

Este motor de jaula LS376/480 se ensambla utilizando componentes de primera calidad nuevos. Éste se basa en la arquitectura de la Serie LS de IV generación y utiliza las tecnologías modernas como inyección de combustible, bobina de ignición individual por cilindro y control electrónico del acelerador. Debido a un amplio rango de aplicaciones de bloque pequeño, si está adaptando una aplicación de bloque pequeño anterior, podría encontrar diferencias de instalación entre el ensamble del motor de jaula LS376/480 y la versión anterior. Estas diferencias podrían requerir modificaciones o componentes adicionales que no se incluyen con el motor LS376/480, incluso sistemas de enfriamiento, combustible, eléctrico y de escape. Es posible que se requiera algún trabajo de fabricación.

El motor de jaula LS376/480 requiere un sistema de control del motor y arnés que están disponibles por medio de su distribuidor de GM Performance Parts. Verifique con su distribuidor o en gmperformanceparts.com para obtener información sobre los paquetes del sistema de control que están disponibles actualmente. Generalmente, el requerimiento del sistema de combustible es de una presión constante de combustible de 60 psi (400 kPa), pero verifique la información incluida en su sistema de control del motor para obtener el requerimiento de presión real.

Nota del usuario: El motor de jaula LS 376/480 de GM Performance Parts (19171224) cuenta con la leva caliente LS (88958733) que es un árbol de levas de alto rendimiento agresivo que podría ocasionar un incremento súbito debajo de 2500 rpm con carga liviana. Esto se debe considerar una ocurrencia de funcionamiento normal debido a la naturaleza agresiva de la leva caliente LS. Este incremento súbito se puede evitar al aumentar ya sea las rpm o el acelerador del motor a la misma velocidad determinada. En el uso con acelerador abierto, no debería experimentar ningún incremento súbito al utilizar el sistema de control del motor GMPP diseñado para el LS376/480.

Estas especificaciones no tienen como propósito reemplazar las completas y detalladas prácticas de servicio que se describen en los manuales de servicio de GM.

Para obtener información acerca de la cobertura de garantía, comuníquese con su distribuidor local de GM Performance Parts.

Observe todas las advertencias y precauciones de seguridad que se encuentran en los manuales de servicio cuando instale el motor de jaula LS376/480 en cualquier vehículo. Utilice protección para los ojos y ropa protectora apropiada. Cuando trabaje debajo o alrededor del vehículo, brinde soporte de manera segura con soportes de gato. Utilice únicamente las herramientas adecuadas. Tenga mucho cuidado cuando esté trabajando con materiales y líquidos inflamables, corrosivos y peligrosos. Algunos procedimientos necesitan de destrezas o equipo especial. Si no tiene las herramientas, experiencia y capacitación adecuadas para realizar alguna parte de la instalación de manera segura, este trabajo lo debe realizar un profesional.

TITLE LS376/480 EFI Crate Engine Specifications	IR 14SE07	PART NO. 19172182	PAGE 25 OF 36
--	------------------	--------------------------	-----------------------------

ALL INFORMATION WITHIN ABOVE BORDER TO BE PRINTED EXACTLY AS SHOWN ON 8 1/2 x 11 WHITE 16 POUND BOND PAPER. PRINT ON BOTH SIDES, EXCLUDING TEMPLATES. TO BE UNITIZED IN ACCORDANCE WITH GMSPO SPECIFICATIONS.	DATE	REVISION	AUTH

Información legal y de emisiones

El objetivo de esta publicación es proporcionar información acerca del motor de jaula LS376/480 y los componentes relacionados. Este manual describe los procedimientos y modificaciones que podrían ser útiles durante la instalación de un motor de jaula LS376/480. No pretende reemplazar los manuales de servicio completo y los catálogos de partes que abarcan los componentes y motores de General Motors. Más bien está diseñado para proporcionar información adicional en las áreas de interés para los entusiastas y mecánicos de "Hágalo usted mismo".

Esta publicación corresponde a los motores y vehículos que no se utilizan en autopistas públicas, excepto cuando se especifique de otra manera. La ley federal prohíbe la desinstalación de algunas partes del sistema de control de emisiones que son requeridas federalmente en los vehículos motorizados. Además, en varios estados hay decretos ley que prohíben alterar o modificar los sistemas de control de ruido o emisiones necesarios. Los vehículos que no son para uso en autopistas públicas, por lo general están exentos de la mayoría de regulaciones, al igual que algunos vehículos para intereses especiales y vehículos fabricados antes de las regulaciones sobre emisiones. Se recomienda encarecidamente al lector que revise todas las leyes estatales y locales aplicables.

Muchas de las partes descritas o enumeradas en este manual se comercializan sólo para aplicaciones fuera de autopistas y están etiquetadas con el "Aviso de partes especiales" que aparece a continuación:

Aviso de partes especiales

Esta parte ha sido diseñada específicamente para aplicaciones que no se utilizan en autopistas. Debido a que la instalación de esta parte puede perjudicar el desempeño del control de emisiones de su vehículo o no estar certificada bajo las Normas de seguridad de vehículos automotores, no se debe instalar en un vehículo para uso en calles o autopistas. Además, cualquier aplicación similar podría afectar adversamente la cobertura de la garantía de un vehículo para uso en calles o autopista.

La información que se encuentra en esta publicación se presenta sin ninguna garantía. El usuario asume en su totalidad los riesgos derivados del uso del mismo. La habilidad de los lectores individuales, los procedimientos mecánicos y el diseño de componentes específicos van más allá del control del editor y, por lo tanto, el editor renuncia a toda responsabilidad incurrida relacionada con el uso de la información que se proporciona en esta publicación.

Chevrolet, Chevy, el emblema de corbatín de Chevrolet, General Motors y GM son todas marcas comerciales registradas de General Motors Corporation.

Contenido del paquete:

<u>Artículo</u>	<u>Descripción</u>	<u>Cantidad</u>	<u>Número de parte de GM</u>
1	Ensamble del motor	1	19166565
2	Instrucciones del motor	1	19172182

Información del componente:

El motor de jaula LS376/480 utiliza componentes LS3 en inventario 2008 excepto como se indica a continuación. La información de servicio adicional no incluida en este documento se pueden obtener de su distribuidor de GM Performance Parts bajo LS3 RPO (Corvette 2008) para todos los componentes, excepto los que se indican a continuación. Al dar servicio o reemplazar alguno de los artículos que aparece a continuación, utilice la información para el motor LS2 2006 (Corvette).

Árbol de levas

El motor de jaula LS376/480 utiliza el árbol de levas 88958733 de GM Performance Parts el cual tiene un montaje de rueda dentada de 3 pernos.

Pernos y rueda dentada del árbol de levas

La rueda dentada del árbol de levas 12586481 y los pernos 12556127 (cantidad 3) se utilizan junto con el diseño de árbol de levas de 3 pernos.

Amortiguador de la cadena de tiempo

El amortiguador de la cadena de tiempo 12588670 y los pernos 11588364 (cantidad 2) se utilizan junto con este diseño en lugar del tensor de cadena, estilo LS3.

Es posible que necesite partes adicionales:

Sistema de control del motor

Como se indicó anteriormente, el motor de jaula LS376/480 requiere un sistema de control del motor y arnés que están disponibles por medio de su distribuidor de GM Performance Parts. Verifique con su distribuidor o en gmperformanceparts.com para obtener información sobre los paquetes del sistema de control que están disponibles actualmente.

Volante:

El motor de jaula LS376/480 incluye una placa del volante de equipo original (12582437) utilizada en las aplicaciones del Corvette 2008. El volante 12571611 también está disponible por medio de su distribuidor de GM Performance Parts para las aplicaciones de transmisión manual.

Cojinete guía:

Deberá instalar un cojinete guía en la parte trasera del cigüeñal si el motor se va a utilizar con una transmisión manual. El cojinete guía alinea el eje de entrada de la transmisión con la línea central del cigüeñal. Un cojinete guía desalineado o desgastado podría ocasionar problemas de cambio y desgaste acelerado del embrague. El cojinete guía 12557583 es un cojinete de equipo original utilizado con este tipo de motor y es el que se recomienda.

Motor de arranque:

El motor de jaula LS376/480 no incluye un motor de arranque. El número de parte 10465385 de GM Performance Parts coincide con esta aplicación y es el que se recomienda. Consulte con su distribuidor de GM Performance Parts para obtener detalles.

Inducción de aire:

Debe utilizar un elemento de esponja o papel, un depurador/filtro de aire de restricción baja para proteger el motor de desgaste excesivo. Además, su sistema de control del motor podría tener recomendaciones para depuradores de aire y sistemas de admisión para un mejor rendimiento.

Bomba de combustible:

El motor LS376/480 no incluye una bomba de combustible. Generalmente, el requerimiento del sistema EFI es de una presión constante de 60 psi, pero consulte la información de su sistema de control del motor para obtener la recomendación actual. La bomba de combustible que elija debe tener la capacidad de 45 gph a la presión recomendada. El número de parte GM 19151145 es una unidad en el tanque que cumple con estos requisitos, pero es posible que no se pueda adaptar a todas las aplicaciones. Varias bombas de mercado secundario cumplirán con estos requisitos también.

Soportes de la transmisión de accesorios:

El kit de transmisión auxiliar 19155067 está disponible por medio de GM Performance Parts para adaptarse al motor LS376/480. Éste contiene todos los componentes y accesorios necesarios para la instalación (incluye compresor de aire acondicionado, bomba de la dirección hidráulica y alternador). Comuníquese con su distribuidor de GM Performance Parts o consulte el sitio Web en www.gmperformanceparts.com.

Procedimientos de arranque e interrupción

Primero está la seguridad. Si el vehículo está estacionado, asegúrese de que el freno de emergencia esté aplicado y que las ruedas tengan cuñas para que el vehículo no se mueva. Verifique que todo esté debidamente instalado y que no falte nada.

1. **Es necesario llenar con aceite este ensamble de motor.** Después de instalar el motor, asegúrese de que el cárter del cigüeñal se ha llenado con aceite para motor al nivel de llenado recomendado en la varilla de medición. El motor de jaula LS376/480 requiere el cumplimiento especial de aceite de un estándar GM4718M de GM (esto estará especificado en la etiqueta del aceite). Mobil es uno de esos aceites recomendados. Otros aceites que cumplen con este estándar se pueden identificar como sintéticos. Sin embargo, no todos los aceites sintéticos cumplen con este estándar de GM. Busque y utilice solamente un aceite que cumple con el estándar GM4718M de GM. Además, revise y llene, según sea necesario cualquier otro líquido necesario, como refrigerante, líquido para dirección hidráulica, etc.
2. El motor se deberá imprimir con aceite antes de arrancar. Instale un manómetro de aceite (se puede utilizar la ubicación del sensor de presión de aceite existente en la parte trasera superior del motor) y desconecte el sistema de control del motor (generalmente se recomienda eliminar la energía del módulo de control del motor, pero revise la información de su sistema de control del motor para obtener detalles adicionales). Nota: No se recomienda desconectar solamente los conectores del inyector de combustible o ignición, asegúrese de que el sistema de control no proporcionará ignición o combustible al motor.
3. Una vez el sistema de control del motor se ha desconectado, arranque el motor utilizando el arranque por 10 segundos y revise la presión de aceite. Si no se indica presión, espere 30 segundos y arránquelo de nuevo por 10 segundos. Repita este proceso hasta que se indique la presión de aceite en el manómetro.
4. Vuelva a conectar el sistema de control del motor. Arranque el motor y escuche si hay algún ruido inusual. Si no nota ningún ruido inusual, haga funcionar el motor a aproximadamente 1000 RPM hasta alcanzar la temperatura normal de funcionamiento.
5. Cuando sea posible, deberá dejar que el motor se caliente antes de conducir. Es una buena práctica dejar que la temperatura del cárter de aceite y del agua alcance los 82°C (180°F) antes de remolcar cargas pesadas o acelerar fuertemente.
6. El motor se debe conducir en condiciones y cargas variables durante las primeras 30 millas o una hora sin el acelerador abierto (WOT) o a aceleraciones continuas a altas RPM.
7. Realice cinco o seis aceleraciones a aceleración media (50%) a aproximadamente 4000 RPM y de vuelta a ralentí (0% de aceleración) en velocidad.
8. Realice dos o tres aceleraciones a aceleración abierta (WOT 100%) a aproximadamente 4000 RPM y otra vez a ralentí (0% de aceleración) en velocidad.
9. Cambie el aceite y el filtro. Reemplace el aceite de acuerdo a la especificación del paso 1 y reemplace el filtro con un nuevo filtro de aceite AC Delco PF48. Inspeccione si el aceite y el filtro de aceite tienen partículas extrañas para asegurarse de que el motor funcione correctamente.
10. Conduzca las siguientes 500 millas (12 a 15 horas del motor) bajo condiciones normales. No ponga a funcionar el motor a su máxima capacidad de velocidad. Además, no exponga el motor a períodos prolongados de carga alta.
11. Cambie el aceite y el filtro. Inspeccione de nuevo si el aceite y el filtro de aceite tienen partículas extrañas para asegurarse de que el motor esté funcionando correctamente.

Especificaciones del motor LS376/480:

- Tipo: 6.2L Gen IV bloque pequeño V8
- Desplazamiento: 376 pulgadas cúbicas
- Abertura x carrera: 4.065 pulg x 3.622 pulg
- Compresión 10.7:1
- Bloque: Aluminio fundido, tapas principales atornilladas en forma cruzada
..... con seis pernos
- Culata de cilindros: Puerto rectangular de aluminio fundido
 - Diámetro de la válvula (admisión/escape): 2.16"/1.59"
- Volumen de la cámara: 68cc
- Cigüeñal: Hierro nodular, balanceado internamente
- Bielas: Metal pulverizado
- Pistones: Aluminio hipereutético
- Árbol de levas: Alzaválvulas de rodillo hidráulicas
 - Elevación:525" admisión, .525" escape
 - Duración: 219° admisión, 228° escape a elevador de alzaválvulas de .050"
 - Línea central: 112° LSA
- Relación del balancín: 1.7:1
- Capacidad de aceite: 5.5 - cuartos (con filtro)
- Presión de aceite (mínimo, con aceite caliente): 6 psig a 1000 RPM
..... 18 psig a 2000 RPM
..... 24 psig a 4000 RPM
- Aceite recomendado: Aceite del motor 5w30 Mobil 1 (u otros que cumplan con el estándar GM4718M, que se especificará en la etiqueta del aceite)
- Filtro de aceite: AC Delco parte No. PF48
- Combustible: Premium sin plomo - 92 (R+M/2)
- Velocidad máxima del motor: 6600 RPM
- Bujías: GM 12571164
..... AC Delco No. 41-985
- Separación entre bujías040"
- Orden de explosión: 1-8-7-2-6-5-4-3

La información puede variar con la aplicación. Todas las especificaciones indicadas se basan en la información de producción más reciente, disponible al momento de la impresión.

Especificaciones de torque del motor de jaula LS376/480:

Aplicación

Especificación

	<u>Métrico</u>	<u>Español</u>
Perno del sensor de posición del árbol de levas (CMP)	12 N·m	106 lb pulg
Perno del arnés de cables del sensor de CMP	12 N·m	106 lb pulg
Pernos del retenedor del árbol de levas, pernos de cabeza hexagonales	25 N·m	18 lb pies
Pernos del retenedor del árbol de levas, pernos de cabeza TORX®	15 N·m	11 lb pies
Pernos de la rueda dentada del árbol de levas	25 N·m	18 lb pies
Pernos de biela, primer apriete	20 N·m	15 lb pies
Pernos de biela, apriete final	85 grados	
Pernos de la cubierta y tubo de purga de aire del refrigerante	12 N·m	106 lb pulg
Sensor de temperatura del refrigerante	20 N·m	15 lb pies
Perno del balanceador del cigüeñal, Apriete de instalación para asegurarse que el balanceador esté instalado completamente	330 N·m	240 lb pies
Perno del balanceador del cigüeñal, primer apriete: Instale un NUEVO perno después del apriete de instalación	50 N·m	37 lb pies
Perno del balanceador del cigüeñal, apriete final	140 grados	
Pernos M10 de la tapa del cojinete del cigüeñal, primer apriete en secuencia	20 N·m	15 lb pies
Pernos M10 de la tapa del cojinete del cigüeñal, apriete final en secuencia	80 grados	
Espárragos M10 de la tapa del cojinete del cigüeñal, primer apriete en secuencia	20 N·m	15 lb pies
Espárragos M10 de la tapa del cojinete del cigüeñal, apriete final en secuencia	51 grados	
Pernos M8 del cojinete del cigüeñal	25 N·m	18 lb pies
Tuercas del deflector de aceite del cigüeñal	25 N·m	18 lb pies
Perno del sensor de posición del cigüeñal (CKP)	25 N·m	18 lb pies
Pernos de la caja del sello de aceite trasero del cigüeñal	30 N·m	22 lb pies
Pernos M11 de la culata de cilindros, primer apriete en secuencia	30 N·m	22 lb pies
Pernos M11 de la culata de cilindros, segundo apriete en secuencia	90 grados	
Pernos M11 de la culata de cilindros, apriete final en secuencia	70 grados	
Pernos M8 de la culata de cilindros, en secuencia	30 N·m	22 lb pies
Tapón de refrigerante de la culata de cilindros	20 N·m	15 lb pies
Tapón del agujero de drenaje del refrigerante del bloque del motor	60 N·m	44 lb pies
Tapón de la cavidad de aceite del bloque del motor	60 N·m	44 lb pies
Perno de la válvula de solenoide de purga del depósito de emisión de gases (EVAP)	50 N·m	37 lb pies
Pernos del distribuidor de escape, primer apriete	15 N·m	11 lb pies
Pernos del distribuidor de escape, apriete final	20 N·m	15 lb pies
Pernos del protector contra calor del distribuidor de escape	9 N·m	80 lb pulg
Espárragos del distribuidor de escape	20 N·m	15 lb pies
Pernos del volante, primer apriete	20 N·m	15 lb pies
Pernos del volante, segundo apriete	50 N·m	37 lb pies
Pernos del volante, apriete final	100 N·m	74 lb pies
Pernos de la cubierta delantera	25 N·m	18 lb pies

Aplicación

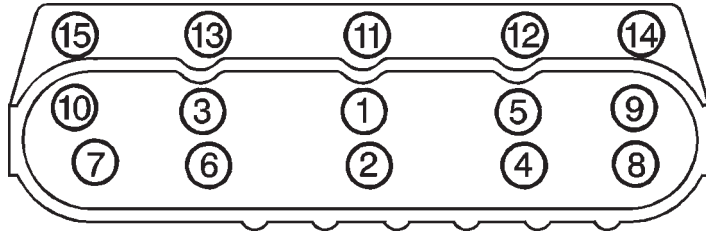
Especificación

	Métrico	Español
Pernos del riel de combustible inyección de combustible	10 N·m	89 lb pulg
Espárrago del soporte de la bobina de ignición a la cubierta del balancín de la válvula	12 N·m	106 lb pulg
Pernos de la bobina de ignición al soporte	10 N·m	89 lb pulg
Pernos del distribuidor de admisión, primer apriete en secuencia	5 N·m	44 lb pulg
Pernos del distribuidor de admisión, apriete final en secuencia	10 N·m	89 lb pulg
Perno M8 J 41798	25 N·m	18 lb pies
Pernos M10 J 41798	50 N·m	37 lb pies
Pernos del sensor de detonación	20 N·m	15 lb pies
Pernos del soporte de montaje del motor	50 N·m	37 lb pies
Filtro de aceite	30 N·m	22 lb pies
Conector del filtro de aceite	55 N·m	40 lb pies
Perno del tubo indicador de nivel de aceite	25 N·m	18 lb pies
Sensor de nivel de aceite	20 N·m	15 lb pies
Perno de la cubierta de cierre del cárter de aceite, lado izquierdo	9 N·m	80 lb pulg
Perno de la cubierta de cierre del cárter de aceite, lado derecho	9 N·m	80 lb pulg
Pernos de la cubierta del cárter de aceite	12 N·m	106 lb pulg
Tapón de drenaje del cárter de aceite	25 N·m	18 lb pies
Pernos M6 del cárter de aceite, caja del cárter de aceite al sello de aceite trasero	12 N·m	106 lb pulg
Pernos M8 del cárter de aceite, cárter de aceite al bloque del motor y cárter de aceite a la cubierta delantera	25 N·m	18 lb pies
Sensor de presión de aceite	35 N·m	26 lb pies
Pernos de la cubierta de la bomba de aceite	12 N·m	106 lb pulg
Tapón de la válvula de alivio de la bomba de aceite	12 N·m	106 lb pulg
Tuercas del filtro de la bomba de aceite	25 N·m	18 lb pies
Perno del filtro de la bomba de aceite a la bomba de aceite	12 N·m	106 lb pulg
Pernos de la bomba de aceite al bloque del motor	25 N·m	18 lb pies
Bujías	15 N·m	11 lb pies
Pernos del cuerpo del acelerador	10 N·m	89 lb pulg
Pernos del amortiguador de la cadena de tiempo	25 N·m	18 lb pies
Pernos de la cubierta del canal	25 N·m	18 lb pies
Pernos de guía del elevador de la válvula	12 N·m	106 lb pulg
Pernos del balancín de la válvula	30 N·m	22 lb pies
Pernos de la cubierta del balancín de la válvula	12 N·m	106 lb pulg
Pernos de la caja de entrada de agua	15 N·m	11 lb pies
Pernos de la bomba de agua, primer apriete	15 N·m	11 lb pies
Pernos de la bomba de agua, apriete final	30 N·m	22 lb pies

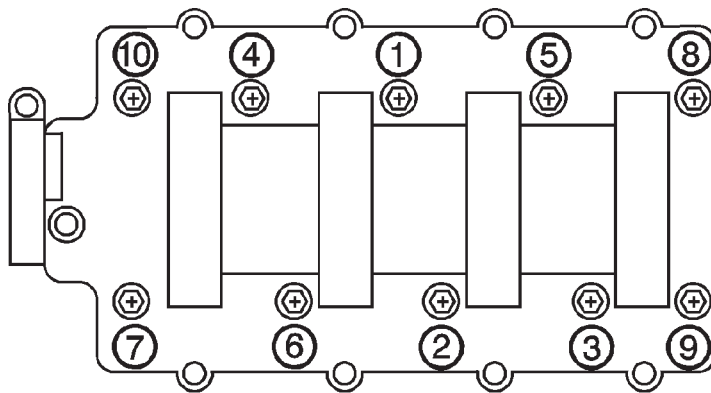
ALL INFORMATION WITHIN ABOVE BORDER TO BE PRINTED EXACTLY AS SHOWN ON 8 1/2 x 11 WHITE 16 POUND BOND PAPER. PRINT ON BOTH SIDES, EXCLUDING TEMPLATES. TO BE UNITIZED IN ACCORDANCE WITH GMSPO SPECIFICATIONS.	DATE	REVISION	AUTH

Secuencias de torque del motor de jaula LS376/48

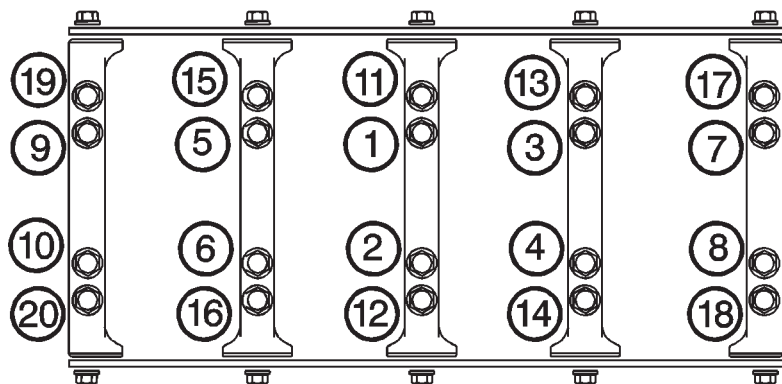
Pernos de la culata de cilindros



Pernos del distribuidor de admisión (la flecha indica la parte delantera del motor)



Espárragos y pernos de la tapa del cojinete del cigüeñal (la flecha indica la parte delantera del motor)



DATE	REVISION	AUTH

Lista de partes de servicio LS376/480:

Núm. parte	Cant.	Nombre
12569167	8	ENSAMBLE DEL BALANCÍN DE LA VÁLVULA DE ADMISIÓN
10214664	8	ENSAMBLE DEL BALANCÍN DE LA VÁLVULA
12601402	1	BALANCEADOR, CIGÜEÑAL
89017572	1	KIT DEL COJINETE, CIGÜEÑAL (POSICIÓN 3)
89017571	4	KIT DEL COJINETE, CIGÜEÑAL (POSICIONES 1, 2, 4, 5)
89017573	8	KIT DEL COJINETE, BIELA
12558539	1	COJINETE, ÁRBOL DE LEVAS (POSICIÓN 3)
12574413	2	COJINETE, ÁRBOL DE LEVAS (POSICIONES 1, 5)
12574414	2	COJINETE, ÁRBOL DE LEVAS (POSICIONES 2, 4)
12584727	1	ENSAMBLE DEL BLOQUE, MOTOR
12570790	1	ENSAMBLE DEL CUERPO, ACELERADOR
12551177	4	PERNO/TORNILLO, RETENEDOR DEL ÁRBOL DE LEVAS
12556127	3	PERNO/TORNILLO, RUEDA DENTADA DEL ÁRBOL DE LEVAS
11561455	4	PERNO/TORNILLO, PLACA DE EMPUJE DEL ÁRBOL DE LEVAS
11570662	16	PERNO/TORNILLO, BIELA
12557840	1	PERNO/TORNILLO, BALANCEADOR DEL CIGÜEÑAL
12560272	10	PERNO/TORNILLO, TAPA DEL COJINETE DEL CIGÜEÑAL
12556127	10	PERNO/TORNILLO, TAPA DEL COJINETE DEL CIGÜEÑAL (LATERAL)
11588723	12	PERNO/TORNILLO, SELLO DE ACEITE TRASERO DEL CIGÜEÑAL
11588723	12	PERNO/TORNILLO, SELLO DE ACEITE TRASERO DEL CIGÜEÑAL
12551177	1	PERNO/TORNILLO, SENSOR DE POSICIÓN DEL CIGÜEÑAL
11562524	20	PERNO/TORNILLO, CULATA DE CILINDROS
12558840	10	PERNO/TORNILLO, CULATA DE CILINDROS
11519978	11	PERNO/TORNILLO, CANAL DEL BLOQUE DEL MOTOR
11516486	4	PERNO/TORNILLO, TUBO DE PURGA DE AIRE DE REFRIGERANTE DEL MOTOR
12551187	8	PERNO/TORNILLO, CUBIERTA DELANTERA DEL MOTOR
11588712	2	PERNO/TORNILLO, CUBIERTA DELANTERA DEL MOTOR
11588739	4	PERNO/TORNILLO, SOPORTE DE ELEVACIÓN DEL MOTOR
11588736	1	PERNO/TORNILLO, DEPÓSITO DE EMISIÓN DE GASES
11519840	6	PERNO/TORNILLO, PROTECTOR CONTRA CALOR DEL DISTRIBUIDOR DE ESCAPE
11519840	6	PERNO/TORNILLO, PROTECTOR CONTRA CALOR DEL DISTRIBUIDOR DE ESCAPE
11518860	12	PERNO/TORNILLO, BRIDA DEL DISTRIBUIDOR DE ESCAPE
12554211	4	PERNO/TORNILLO, RIEL DE COMBUSTIBLE INYECCIÓN DE COMBUSTIBLE
12553332	6	PERNO/TORNILLO, VOLANTE
11516424	8	PERNO/TORNILLO, BOBINA DE IGNICIÓN
11900243	8	PERNO/TORNILLO, BOBINA DE IGNICIÓN
12552344	10	PERNO/TORNILLO, DISTRIBUIDOR DE ADMISIÓN
11562253	1	PERNO/TORNILLO, SENSOR DE MAP
12551187	13	PERNO/TORNILLO, CÁRTER DE ACEITE
12554900	2	PERNO/TORNILLO, CÁRTER DE ACEITE
12551187	4	PERNO/TORNILLO, BOMBA DE ACEITE

11509800	7	PERNO/TORNILLO, CUBIERTA DE LA BOMBA DE ACEITE
11588712	1	PERNO/TORNILLO, TUBO DE SUCCIÓN DE LA BOMBA DE ACEITE
11588736	1	PERNO/TORNILLO, INDICADOR DE NIVEL DE ACEITE
3531733	8	PERNO/TORNILLO, DEFLECTOR DE PCV
11519971	4	PERNO/TORNILLO, CUERPO DEL ACELERADOR
11588364	2	PERNO/TORNILLO, AMORTIGUADOR DE LA CADENA DE TIEMPO
12551163	4	PERNO/TORNILLO, GUÍA DEL ELEVADOR DE LA VÁLVULA
12560961	16	PERNO/TORNILLO, BALANCÍN DE LA VÁLVULA
12577215	8	PERNO/TORNILLO, BALANCÍN DE LA VÁLVULA
12551926	6	PERNO/TORNILLO, BOMBA DE AGUA
11516480	2	PERNO/TORNILLO, ENTRADA DE LA BOMBA DE AGUA
12577830	1	SOPORTE, DEPÓSITO DE EMISIÓN DE GASES
12574634	1	SOPORTE, RIEL DE COMBUSTIBLE DE INYECCIÓN DE COMBUSTIBLE
12580353	2	SOPORTE, BOBINA DE IGNICIÓN
88958733	1	ENSAMBLE DEL ÁRBOL DE LEVAS
12577268	1	ENSAMBLE DE LA TAPA, LLENADO DE ACEITE
25532662	1	TAPA, VÁLVULA DE SERV DE PRESIÓN DE ACEITE
10166344	16	TAPA, RESORTE DE LA VÁLVULA
12586482	1	ENSAMBLE DE LA CADENA, DE TIEMPO
12573190	4	ENSAMBLE DE LA BOBINA, IGNICIÓN (BOBINA REDONDA)
12570616	8	ENSAMBLE DE LA BOBINA, IGNICIÓN (BOBINA CUADRADA)
12599296	1	ENSAMBLE DE LA CUBIERTA, CANAL DEL BLOQUE DEL MOTOR
12602540	2	ENSAMBLE DE LA CUBIERTA, AGUJERO DEL TUBO DE PURGA DE AIRE DE ENFRIAMIENTO DEL MOTOR
12600325	1	ENSAMBLE DE LA CUBIERTA, DELANTERA DEL MOTOR
12570427	1	ENSAMBLE DE LA CUBIERTA, BALANCÍN DE LA VÁLVULA (IZQUIERDA)
12582224	1	ENSAMBLE DE LA CUBIERTA, BALANCÍN DE LA VÁLVULA (DERECHA)
12604708	1	CUBIERTA, DISTRIBUIDOR DE ADMISIÓN
12597569	1	ENSAMBLE DEL CIGÜEÑAL
12588670	1	ENSAMBLE DEL AMORTIGUADOR, CADENA DE TIEMPO
12558189	1	DEFLECTOR, ACEITE DEL CIGÜEÑAL
12567915	1	CONECTOR, PCV
89017839	4	KIT DE EMPAQUE, DISTRIBUIDOR DE ADMISIÓN (2 POR KIT)
12574293	1	EMPAQUE, SELLO DE ACEITE TRASERO DEL CIGÜEÑAL
12610046	2	EMPAQUE, CULATA DE CILINDROS
12610141	1	EMPAQUE, CUBIERTA DEL CANAL DEL BLOQUE DEL MOTOR
12574294	1	EMPAQUE, CUBIERTA DELANTERA DEL MOTOR
12610305	2	EMPAQUE, DISTRIBUIDOR DE ESCAPE
12558760	1	EMPAQUE, CÁRTER DE ACEITE
12560696	2	EMPAQUE, CUBIERTA DEL BALANCÍN DE LA VÁLVULA
12610311	2	EMPAQUE, BOMBA DE AGUA
12595365	2	GUÍA, ELEVADOR DE LA VÁLVULA
12600825	2	ENSAMBLE DE LA CULATA, CILINDROS
12600254	1	MANGUERA, TUBO DE PURGA DEL AIRE DE ENFRIAMIENTO DEL MOTOR

DATE	REVISION	AUTH

12615666	1	ENSAMBLE DE LA CAJA, SELLO DE ACEITE TRASERO DEL CIGÜEÑAL
12614813	1	ENSAMBLE DE LA CAJA, SELLO DE ACEITE TRASERO DEL CIGÜEÑAL
12570788	1	ENSAMBLE DEL INDICADOR, NIVEL DE ACEITE
12576341	8	ENSAMBLE DEL INYECTOR, PUERTO DEL DISTRIBUIDOR SEC
12600172	1	ENSAMBLE DE ENTRADA, BOMBA DE AGUA
12561513	1	CHAVETA, BALANCEADOR DEL CIGÜEÑAL
10166345	16	CHAVETA, VÁSTAGO DE LA VÁLVULA
17122490	8	ENSAMBLE DEL ELEVADOR, VÁLVULA
12603758	1	DISTRIBUIDOR, ESCAPE (IZQUIERDO)
12603760	1	DISTRIBUIDOR, ESCAPE (DERECHO)
12602477	1	DISTRIBUIDOR, ADMISIÓN
11516076	9	TUERCA, DEFLECTOR ACEITE DEL CIGÜEÑAL
11516076	1	TUERCA, TUBO DE SUCCIÓN DE LA BOMBA DE ACEITE
12598186	1	ENSAMBLE DEL CÁRTER, ACEITE
24575061	1	CLAVIJA, BLOQUEO RUEDA DENTADA DEL ÁRBOL DE LEVAS
12570326	4	CLAVIJA, BLOQUEO CULATA CILINDROS
3736406	2	CLAVIJA, BLOQUEO TRANSMISIÓN
12602548	1	ENSAMBLE DEL TUBO, PURGA DEL AIRE DE ENFRIAMIENTO DEL MOTOR
19168089	8	ENSAMBLE DEL PISTÓN, (CON CLAVIJA)
12582437	1	ENSAMBLE DE LA PLACA, VOLANTE DE LA TRANSMISIÓN AUTOMÁTICA (CON CUBO)
11610259	1	ENSAMBLE DEL TAPÓN, AGUJERO DEL NÚCLEO DE LA CULATA DE CILINDROS
9427693	1	ENSAMBLE DEL TAPÓN, GALERÍA DE ACEITE DEL BLOQUE DEL MOTOR
12573460	1	ENSAMBLE DEL TAPÓN, GALERÍA DE ACEITE DEL BLOQUE DEL MOTOR
11569958	2	ENSAMBLE DEL TAPÓN, GALERÍA DE ACEITE DEL BLOQUE DEL MOTOR
24502262	1	TAPÓN, AGUJERO DEL NÚCLEO DE LA CULATA DE CILINDROS
11569958	1	TAPÓN, AGUJERO DE DRENAJE ENFRIAMIENTO DEL BLOQUE DEL MOTOR
11609289	1	TAPÓN, AGUJERO DE DRENAJE ENFRIAMIENTO DEL BLOQUE DEL MOTOR
12602048	2	TAPÓN, PURGA DE AIRE DE ENFRIAMIENTO DEL MOTOR
12579145	1	TAPÓN, CUBIERTA DE LA VÁLVULA PCV
12586665	1	ENSAMBLE DE LA BOMBA, ACEITE
12600465	1	ENSAMBLE DE LA BOMBA, AGUA
12572174	1	ENSAMBLE DEL RIEL, INYECCIÓN DE COMBUSTIBLE DEL PUERTO DEL DISTRIBUIDOR
12589016	1	RETENEDOR, ÁRBOL DE LEVAS
24503227	8	RETENEDOR, INYECTOR DE COMBUSTIBLE
12569638	16	RETENEDOR, CLAVIJA DEL PISTÓN
19168090	8	KIT DE ANILLO, PISTÓN
12586768	1	ANILLO, EXCITADOR DEL SENSOR DE POSICIÓN DEL CIGÜEÑAL
12617570	8	ENSAMBLE DE LA BIELA, CONEXIÓN
10238852	16	ENSAMBLE DE LA VARILLA, EMPUJE DE LA VÁLVULA
12558750	1	ENSAMBLE DEL FILTRO, BOMBA DE ACEITE (CON TUBO DE SUCCIÓN)
12561244	1	ENSAMBLE DEL SELLO, ACEITE A LA PARTE DELANTERA DEL CIGÜEÑAL
12602972	1	ENSAMBLE DEL SELLO, ACEITE A LA PARTE TRASERA DEL CIGÜEÑAL
89017587	8	KIT DEL SELLO, INYECTOR DE COMBUSTIBLE (INYECTOR Y RIEL)
12610160	8	SELLO, CUBIERTA DEL CANAL DEL BLOQUE DEL MOTOR

12602541	2	SELLO, TUBO DEL BLOQUE DE AIRE DE REFRIGERANTE DEL MOTOR (EMPAQUE DE ANILLO)
12585673	1	EMPAQUE, CUBIERTA DELANTERA DEL MOTOR
12565209	8	SELLO, ACEITE DEL VÁSTAGO DE LA VÁLVULA DE ESCAPE
12560251	2	SELLO, DISTRIBUIDOR DE ADMISIÓN
12565208	8	SELLO, ACEITE DEL VÁSTAGO DE LA VÁLVULA DE ADMISIÓN
12557752	1	SELLO, TUBO DE SUCCIÓN DE LA BOMBA DE ACEITE (EMPAQUE DE ANILLO)
24100002	1	SELLO, TUBO DE LLENADO DE ACEITE (EMPAQUE DE ANILLO)
24504031	2	SELLO, TUBO INDICADOR DE NIVEL DE ACEITE (EMPAQUE DE ANILLO)
12576549	1	SELLO, CUERPO DEL ACELERADOR
12570307	1	SELLO, ENTRADA DE AGUA
12585545	1	ENSAMBLE DEL SENSOR, POSICIÓN ÁRBOL DE LEVAS
12585546	1	ENSAMBLE DEL SENSOR, POSICIÓN DEL CIGÜEÑAL
12608814	1	ENSAMBLE DEL SENSOR, TEMPERATURA DEL REFRIGERANTE DEL MOTOR
12603781	1	ENSAMBLE DEL SENSOR, NIVEL ACEITE DEL MOTOR
12573107	1	ENSAMBLE DEL SENSOR, PRESIÓN DE ACEITE DEL MOTOR
12570125	2	ENSAMBLE DEL SENSOR, GOLPE
12591290	1	ENSAMBLE DEL SENSOR, MAP
12576823	1	PROTECTOR, CALOR DEL DISTRIBUIDOR ESCAPE (IZQUIERDO)
12576822	1	PROTECTOR, CALOR DEL DISTRIBUIDOR ESCAPE (DERECHO)
15336959	1	PROTECTOR, CABLES DE BUJÍA
12586484	16	ENSAMBLE DEL RESORTE, VÁLVULA
12586481	1	RUEDA DENTADA, ÁRBOL DE LEVAS
12556582	1	RUEDA DENTADA, CIGÜEÑAL
12594090	1	TOPE, RIEL DE COMBUSTIBLE, INYECCIÓN DE COMBUSTIBLE
12608381	1	TOPE, RIEL DE COMBUSTIBLE, INYECCIÓN DE COMBUSTIBLE
12560273	10	ESPÁRRAGO, TAPA DEL COJINETE DEL CIGÜEÑAL
11518424	4	ESPÁRRAGO, DISTRIBUIDOR DE ESCAPE
12554211	10	ESPÁRRAGO, SOPORTE DE LA BOBINA DE IGNICIÓN
12600936	2	SOPORTE, PIVOTE DEL BALANCÍN DE LA VÁLVULA
12600171	1	ENSAMBLE DEL TERMÓSTATO, REFRIGERANTE DEL MOTOR
12570787	1	ENSAMBLE DEL TUBO, INDICADOR DE NIVEL DE ACEITE
12607115	1	TUBO, PURGA DEL DEPÓSITO DE EMISIÓN DE GASES
12559505	1	TUBO, LLENADO DE ACEITE
12599298	1	TUBO, PCV
12597341	1	ENSAMBLE DE LA VÁLVULA, PURGA DEL DEPÓSITO DE EMISIÓN DE GASES
12574525	1	ENSAMBLE DE LA VÁLVULA, SERVICIO DE PRESIÓN DE ACEITE
12582719	8	VÁLVULA, ESCAPE
12569427	8	VÁLVULA, ADMISIÓN
12603843	1	ARANDELA, BALANCEADOR DEL CIGÜEÑAL
12600525	1	ARANDELA, BALANCEADOR DEL CIGÜEÑAL
12593593	1	ENSAMBLE DE CABLES, SENSOR DE POSICIÓN DEL ÁRBOL DE LEVAS
12579355	2	ENSAMBLE DE CABLES, BOBINA DE IGNICIÓN
89018057	8	ENSAMBLE DE CABLES, BUJÍA (1 CABLE)
89018058	1	KIT DE CABLES, BUJÍA (8 CABLES)

DATE	REVISION	AUTH